

## Linear Bushing

# Replacement Model LM to Model LM-N

1030-A-T2502197E-1  
 October 20, 2025  
 THK CO., LTD.  
 SE Dept.

- Replacement
- Model LM
- Model LM-N

This document, including technical information related to this document as well as the rights to said information, is confidential property of THK CO., LTD. Full and/or partial disclosure of this information to a third party without permission from THK is prohibited



# Model LM-N/LM



## List

Standard		
Dia.	Model No.	
35	LM35N	LM35
40	LM40N	LM40
50	LM50N	LM50
60	LM60N	LM60

Clearance adjustable		
Dia.	Model No.	
35	LM35N-AJ	LM35-AJ
40	LM40N-AJ	LM40-AJ
50	LM50N-AJ	LM50-AJ
60	LM60N-AJ	LM60-AJ

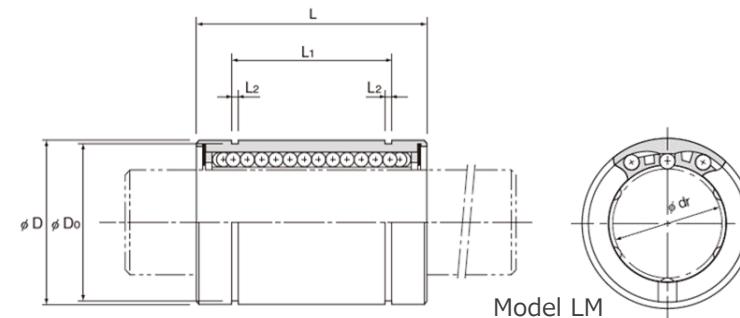
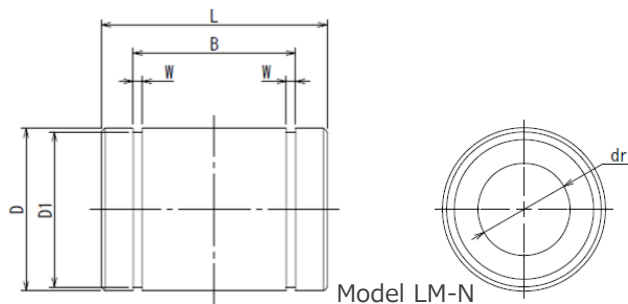
Open		
Dia.	Model No.	
13	LM13N-OP	LM13-OP
16	LM16N-OP	LM16-OP
20	LM20N-OP	LM20-OP
25	LM25N-OP	LM25-OP
30	LM30N-OP	LM30-OP
35	LM35N-OP	LM35-OP
40	LM40N-OP	LM40-OP
50	LM50N-OP	LM50-OP
60	LM60N-OP	LM60-OP

Long		
Dia.	Model No.	
35	LM35NL	LM35L
40	LM40NL	LM40L
50	LM50NL	LM50L
60	LM60NL	LM60L

# Standard Model LM-N/LM



## Specification Table 35/40/50/60 -1



Model LM-N

Unit: mm

Model No.	Ball rows	Main dimensions										
		Inscribed bore diameter	Tolerance		Outer diameter	Tolerance	Length		B	Tolerance	W	D <sub>1</sub>
			dr	High			Precision	D				
LM35N	6	35	0 -0.012	0 -0.008	52	0 -0.019	70	0 -0.3	49.5	0 -0.3	2.1	49
LM40N	6	40	0 -0.012	0 -0.008	60	0 -0.019	80	0 -0.3	60.5	0 -0.3	2.1	57
LM50N	6	50	0 -0.012	0 -0.008	80	0 -0.019	100	0 -0.3	74	0 -0.3	2.6	76.5
LM60N	6	60	0 -0.015	0 -0.009	90	0 -0.022	110	0 -0.3	85	0 -0.3	3.15	86.5

Model LM

Unit: mm

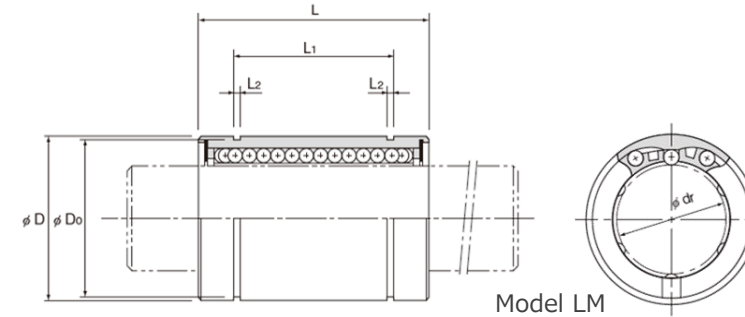
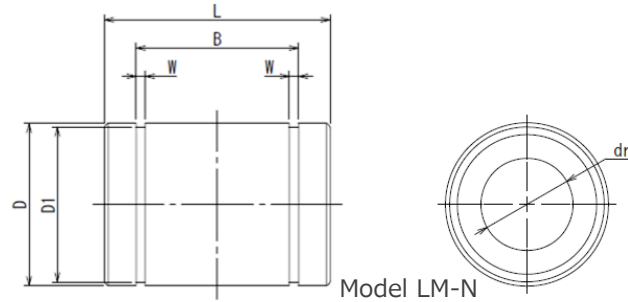
Model No.	Ball rows	Main dimensions										
		Inscribed bore diameter	Tolerance		Outer diameter	Tolerance	Length		L <sub>1</sub>	Tolerance	L <sub>2</sub>	D <sub>0</sub>
			dr	High			Precision	D				
LM35	6	35	0 -0.012	0 -0.008	52	0 -0.019	70	0 -0.3	49.5	0 -0.3	2.1	49
LM40	6	40	0 -0.012	0 -0.008	60	0 -0.019	80	0 -0.3	60.5	0 -0.3	2.1	57
LM50	6	50	0 -0.012	0 -0.008	80	0 -0.022	100	0 -0.3	74	0 -0.3	2.6	76.5
LM60	6	60	0 -0.015	0 -0.009	90	0 -0.022	110	0 -0.3	85	0 -0.3	3.15	86.5

different

# Standard Model LM-N/LM



## Specification Table 35/40/50/60 -2



Model LM-N

Unit: mm

Model No.	Eccentricity(max)		Radial clearance tolerance	Basic load rating		Mass
	μm			C	C <sub>0</sub>	
	High	Precision				
LM35N	20	12	-8	1670	3140	425
LM40N	20	12	-10	2160	4020	654
LM50N	20	12	-13	3820	7940	1700
LM60N	25	17	-13	4700	10000	2000

Model LM

Unit: mm

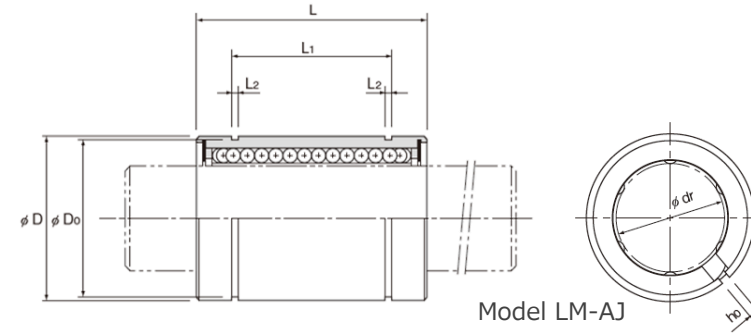
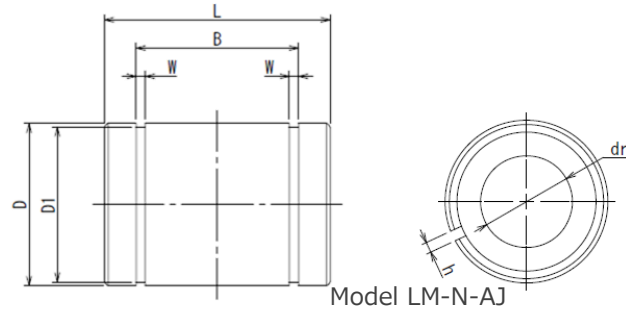
Model No.	Eccentricity(max)		Radial clearance tolerance	Basic load rating		Mass
	μm			C	C <sub>0</sub>	
	High	Precision				
LM35	20	12	-13	1670	3140	358
LM40	20	12	-13	2160	4020	557
LM50	20	12	-13	3820	7940	1418
LM60	25	17	-16	4710	10000	1733

different

# Clearance adjustable Model LM-N-AJ/LM-AJ



Specification Table 35/40/50/60 -1



Model LM-N-AJ

Unit: mm

Model No.	Clearance-adjustable	Ball rows	Main dimensions										
			Inscribed bore diameter		Outer diameter		Length		B	Tolerance	W	D <sub>1</sub>	h
			dr	Tolerance	D	Tolerance	L	Tolerance					
LM35N-AJ		6	35	0 -0.012	52	0 -0.019	70	0 -0.3	49.5	0 -0.3	2.1	49	2.5
LM40N-AJ		6	40	0 -0.012	60	0 -0.019	80	0 -0.3	60.5	0 -0.3	2.1	57	3
LM50N-AJ		6	50	0 -0.012	80	0 -0.019	100	0 -0.3	74	0 -0.3	2.6	76.5	3
LM60N-AJ		6	60	0 -0.015	90	0 -0.022	110	0 -0.3	85	0 -0.3	3.15	86.5	3

Model LM-AJ

Unit: mm

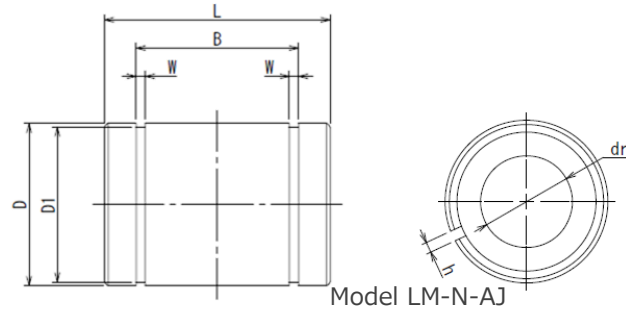
Model No.	Clearance-adjustable	Ball rows	Main dimensions											
			Inscribed bore diameter			Outer diameter		Length		L <sub>1</sub>	Tolerance	L <sub>2</sub>	D <sub>0</sub>	h <sub>0</sub>
			dr	High	Precision	D	Tolerance	L	Tolerance					
LM35-AJ		6	35	0 -0.012	0 -0.008	52	0 -0.019	70	0 -0.3	49.5	0 -0.3	2.1	49	2.5
LM40-AJ		6	40	0 -0.012	0 -0.008	60	0 -0.019	80	0 -0.3	60.5	0 -0.3	2.1	57	3
LM50-AJ		6	50	0 -0.012	0 -0.008	80	0 -0.022	100	0 -0.3	74	0 -0.3	2.6	76.5	3
LM60-AJ		6	60	0 -0.015	0 -0.009	90	0 -0.022	110	0 -0.3	85	0 -0.3	3.15	86.5	3

different

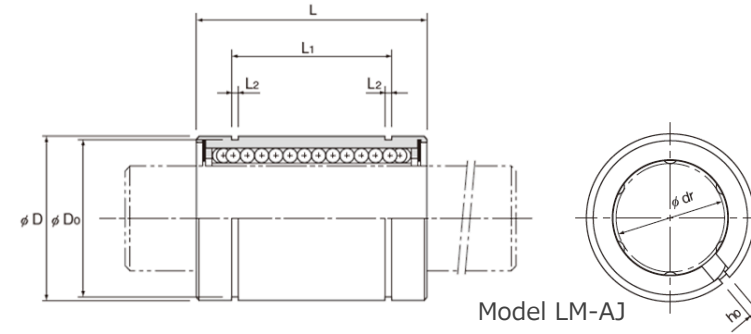
# Clearance adjustable Model LM-N-AJ/LM-AJ



## Specification Table 35/40/50/60 -2



Model LM-N-AJ



Model LM-AJ

Model LM-N-AJ

Unit: mm

Model No. Clearance-adjustable	Eccentricity (max) $\mu\text{m}$	Radial clearance tolerance $\mu\text{m}$	Basic load rating		Mass g
			C N	$C_0$ N	
LM35N-AJ	20	-8	1670	3140	420
LM40N-AJ	20	-10	2160	4020	640
LM50N-AJ	20	-13	3820	7940	1680
LM60N-AJ	25	-13	4700	10000	1980

Model LM-AJ

Unit: mm

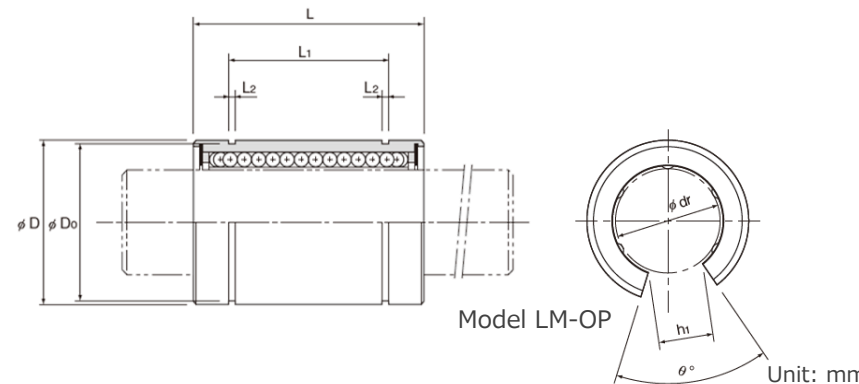
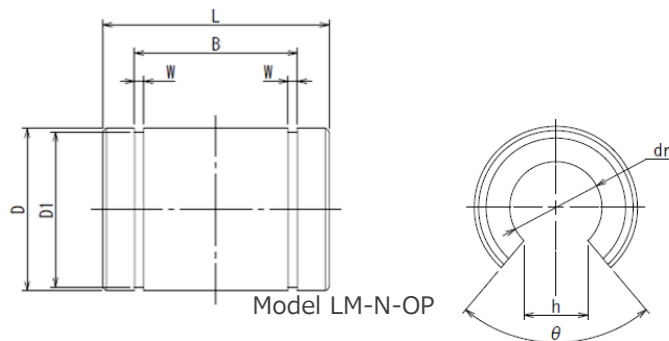
Model No. Clearance-Adjustable	Eccentricity(max) $\mu\text{m}$		Radial clearance tolerance $\mu\text{m}$	Basic load rating		Mass g
	High	Precision		C N	$C_0$ N	
LM35-AJ	20	12	-13	1670	3140	352
LM40-AJ	20	12	-13	2160	4020	548
LM50-AJ	20	12	-13	3820	7940	1401
LM60-AJ	25	17	-16	4710	10000	1715

different

# Open Model LM-N-OP/LM-OP



## Specification Table 13/16/20/25/30 -1



Model LM-N-OP

Model No.	Open	Ball rows	Main dimensions											
			Inscribed bore diameter		Outer diameter		Length		B	Tolerance	W	D <sub>1</sub>	h	θ°
			dr	Tolerance	D	Tolerance	L	Tolerance						
LM13N-OP		4	13	0 -0.009	23	0 -0.013	32	0 -0.2	23	0 -0.2	1.3	22	9	80
LM16N-OP		4	16	0 -0.009	28	0 -0.013	37	0 -0.2	26.5	0 -0.2	1.6	27	11	80
LM20N-OP		5	20	0 -0.010	32	0 -0.016	42	0 -0.2	30.5	0 -0.2	1.6	30.5	11	60
LM25N-OP		6	25	0 -0.010	40	0 -0.016	59	0 -0.3	41	0 -0.3	1.85	38	12	50
LM30N-OP		6	30	0 -0.010	45	0 -0.016	64	0 -0.3	44.5	0 -0.3	1.85	43	15	50

Model LM-OP

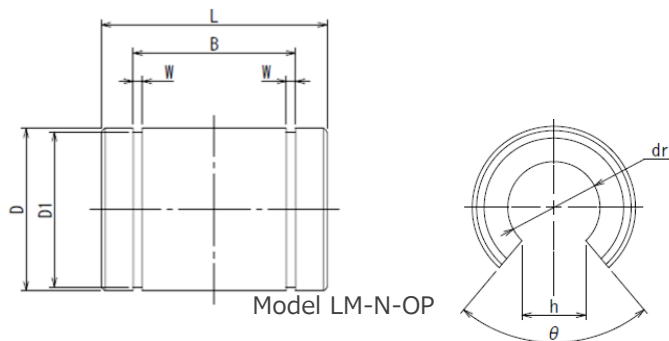
Model No.	Open	Ball rows	Main dimensions												
			Inscribed bore diameter		Outer diameter		Length		L <sub>1</sub>	Tolerance	L <sub>2</sub>	D <sub>0</sub>	h <sub>1</sub>	θ°	
			dr	Tolerance	D	Tolerance	L	Tolerance							
LM13-OP		4	13	0 -0.009	0 -0.006	23	0 -0.013	32	0 -0.2	23	0 -0.2	1.3	22	9	80
LM16-OP		5	16	0 -0.009	0 -0.006	28	0 -0.013	37	0 -0.2	26.5	0 -0.2	1.6	27	11	60
LM20-OP		5	20	0 -0.010	0 -0.007	32	0 -0.016	42	0 -0.2	30.5	0 -0.2	1.6	30.5	11	60
LM25-OP		6	25	0 -0.010	0 -0.007	40	0 -0.016	59	0 -0.3	41	0 -0.3	1.85	38	12	50
LM30-OP		6	30	0 -0.010	0 -0.007	45	0 -0.016	64	0 -0.3	44.5	0 -0.3	1.85	43	15	50

different

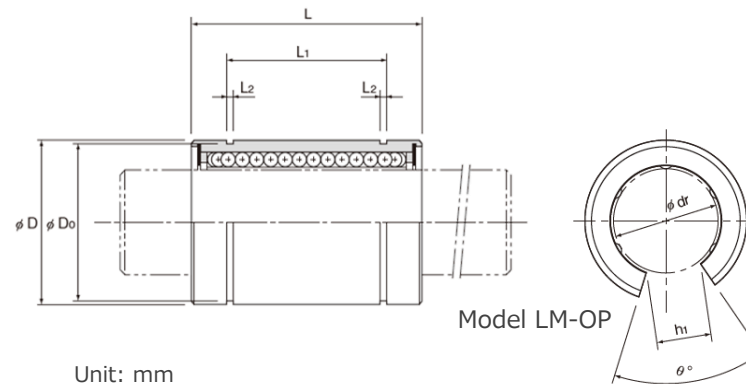
# Open Model LM-N-OP/LM-OP



## Specification Table 13/16/20/25/30 -2



Model LM-N-OP



Model LM-OP

Unit: mm

Model LM-N-OP

Model No.	Eccentricity (max) μm	Basic load rating		Mass g
		C N	C <sub>0</sub> N	
Open				
LM13N-OP	12	510	784	37
LM16N-OP	12	774	1180	58
LM20N-OP	15	882	1370	79
LM25N-OP	15	980	1570	203
LM30N-OP	15	1570	2740	228

Model LM-OP

Unit: mm

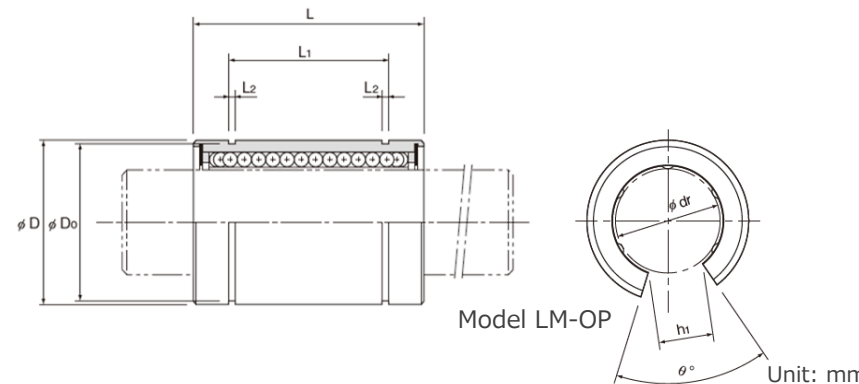
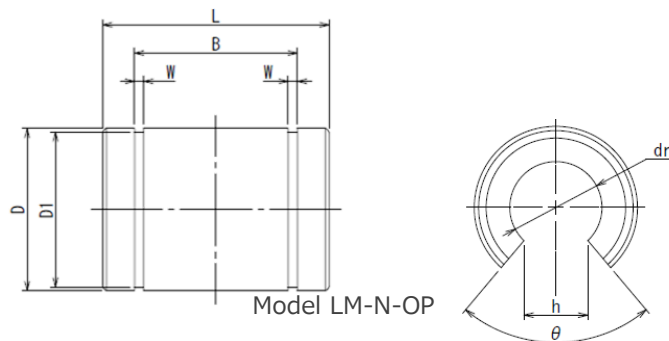
Model No.	Eccentricity(max) μm		Basic load rating		Mass g
	High	Precision	C N	C <sub>0</sub> N	
Open					
LM13-OP	12	8	510	775	30
LM16-OP	12	8	775	1180	60
LM20-OP	15	10	863	1370	70
LM25-OP	15	10	980	1570	180
LM30-OP	15	10	1570	2750	185

different

# Open Model LM-N-OP/LM-OP



## Specification Table 35/40/50/60 -1



Model LM-N-OP

Model No.	Open	Ball rows	Main dimensions														
			Inscribed bore diameter		Outer diameter		Length		B	Tolerance	W	D <sub>1</sub>	h	θ°			
			dr	Tolerance	D	Tolerance	L	Tolerance									
LM35N-OP	6	35	0	-0.012	52	0	-0.019	70	0	-0.3	49.5	0	-0.3	2.1	49	17	50
LM40N-OP	6	40	0	-0.012	60	0	-0.019	80	0	-0.3	60.5	0	-0.3	2.1	57	20	50
LM50N-OP	6	50	0	-0.012	80	0	-0.019	100	0	-0.3	74	0	-0.3	2.6	76.5	25	50
LM60N-OP	6	60	0	-0.015	90	0	-0.022	110	0	-0.3	85	0	-0.3	3.15	86.5	30	50

Model LM-OP

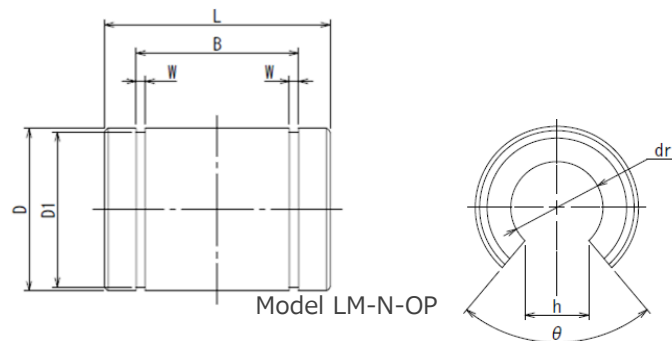
Model No.	Open	Ball rows	Main dimensions																
			Inscribed bore diameter		Outer diameter		Length		L <sub>1</sub>	Tolerance	L <sub>2</sub>	D <sub>0</sub>	h <sub>1</sub>	θ°					
			dr	Tolerance	D	Tolerance	L	Tolerance											
LM35-OP	6	35	0	-0.012	0	-0.008	52	0	-0.019	70	0	-0.3	49.5	0	-0.3	2.1	49	17	50
LM40-OP	6	40	0	-0.012	0	-0.008	60	0	-0.019	80	0	-0.3	60.5	0	-0.3	2.1	57	20	50
LM50-OP	6	50	0	-0.012	0	-0.008	80	0	-0.022	100	0	-0.3	74	0	-0.3	2.6	76.5	25	50
LM60-OP	6	60	0	-0.015	0	-0.009	90	0	-0.022	110	0	-0.3	85	0	-0.3	3.15	86.5	30	50

different

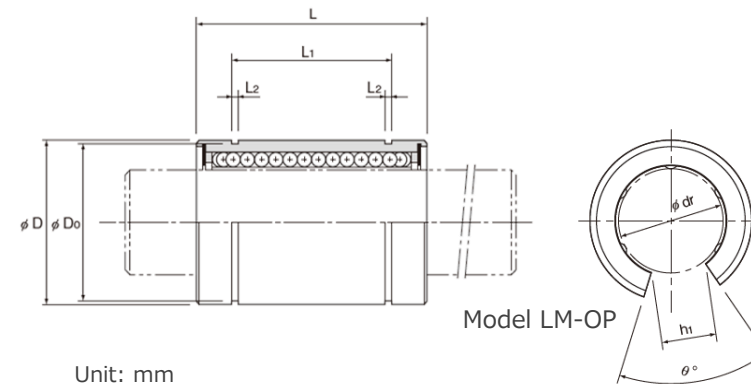
# Open Model LM-N-OP/LM-OP



## Specification Table 35/40/50/60 -2



Model LM-N-OP



Model LM-OP

Unit: mm

Model LM-N-OP

Model No.	Eccentricity (max) μm	Basic load rating		Mass g
		C N	C <sub>0</sub> N	
Open				
LM35N-OP	20	1670	3140	355
LM40N-OP	20	2160	4020	546
LM50N-OP	20	3820	7940	1420
LM60N-OP	25	4700	10000	1650

Model LM-OP

Unit: mm

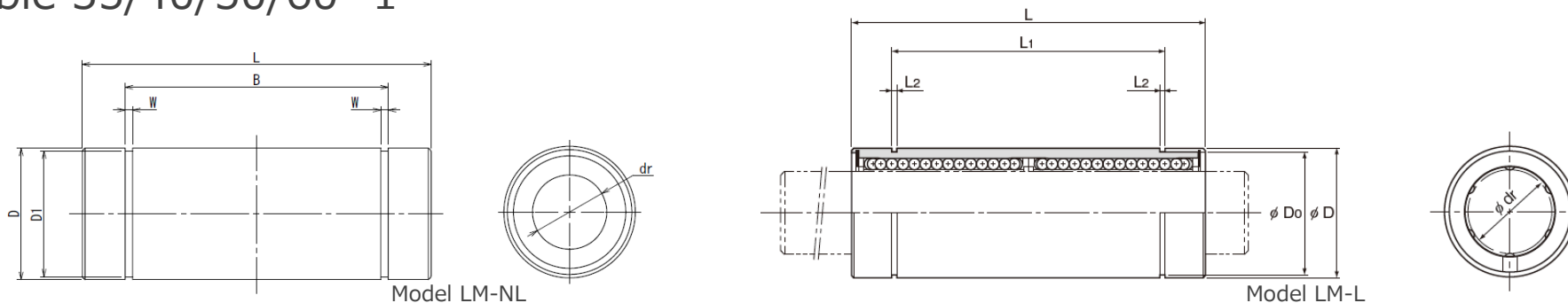
Model No.	Eccentricity(max) μm		Basic load rating		Mass g
	High	Precision	C N	C <sub>0</sub> N	
Open					
LM35-OP	20	12	1670	3140	303
LM40-OP	20	12	2160	4020	471
LM50-OP	20	12	3820	7940	1225
LM60-OP	25	17	4710	10000	1465

different

# Long Model LM-NL/LM-L



## Specification Table 35/40/50/60 -1



Model LM-LN

Unit: mm

Model No.	Ball rows	Main dimensions									
		Inscribed bore diameter		Outer diameter		Length		B	Tolerance	W	D <sub>1</sub>
		dr	Tolerance	D	Tolerance	L	Tolerance				
LM35NL	6	35	0 -0.015	52	0 -0.022	135	0 -0.4	99	0 -0.4	2.1	49
LM40NL	6	40	0 -0.015	60	0 -0.022	151	0 -0.4	121	0 -0.4	2.1	57
LM50NL	6	50	0 -0.015	80	0 -0.022	192	0 -0.4	148	0 -0.4	2.6	76.5
LM60NL	6	60	0 -0.020	90	0 -0.025	209	0 -0.4	170	0 -0.4	3.15	86.5

Model LM-L

Unit: mm

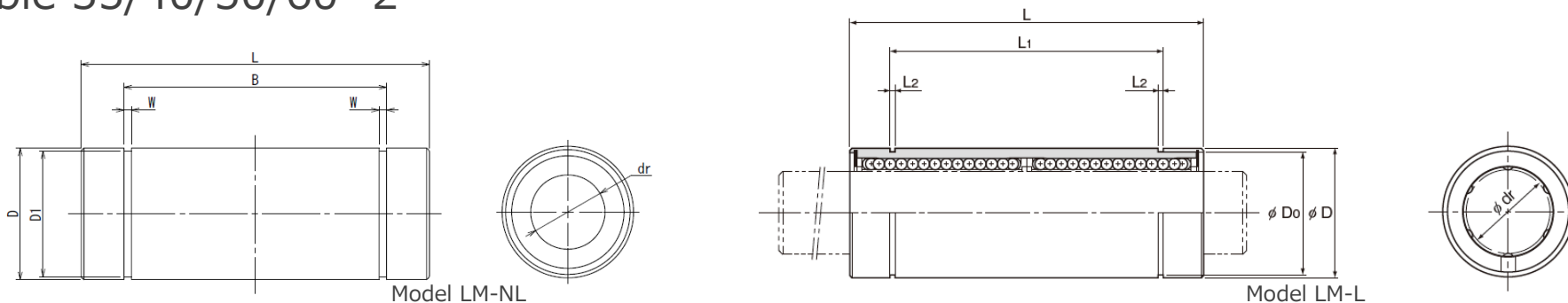
Model No.	Ball rows	Main dimensions									
		Inscribed bore diameter		Outer diameter		Length		L <sub>1</sub>	Tolerance	L <sub>2</sub>	D <sub>0</sub>
		D	Tolerance	D	Tolerance	L	Tolerance				
LM35L	6	35	0 -0.015	52	0 -0.022	135	0 -0.4	99	0 -0.4	2.1	49
LM40L	6	40	0 -0.015	60	0 -0.022	154	0 -0.4	121	0 -0.4	2.1	57
LM50L	6	50	0 -0.015	80	0 -0.022	192	0 -0.4	148	0 -0.4	2.6	76.5
LM60L	6	60	0 -0.020	90	0 -0.025	211	0 -0.4	170	0 -0.4	3.15	86.5

different

# Long Model LM-NL/LM-L



## Specification Table 35/40/50/60 -2



Model LM-LN

Unit: mm

Model No.	Eccentricity(max) μm	Basic load rating		Mass g
		C N	C <sub>0</sub> N	
Standard				
LM35NL	25	2650	6270	795
LM40NL	25	3430	8040	1170
LM50NL	25	6080	15900	3100
LM60NL	30	7550	20000	3500

Model LM-L

Unit: mm

Model No.	Eccentricity(max) μm	Radial clearance tolerance μm	Basic load rating		Mass g
			C N	C <sub>0</sub> N	
Standard					
LM35L	25	-13	2650	6270	696
LM40L	25	-13	3430	8040	1087
LM50L	25	-13	6080	15900	2770
LM60L	25	-16	7650	20000	3340

different