

Linear Bushing

Replacement Model LME to Model LME-N

1030-A-T2502201E-1
 October 20, 2025
 THK CO., LTD.
 SE Dept.

- Replacement
- Model LME
- Model LME-N

This document, including technical information related to this document as well as the rights to said information, is confidential property of THK CO., LTD. Full and/or partial disclosure of this information to a third party without permission from THK is prohibited



Model LM-N/LM



List

Standard		
Dia.	Model No.	
40	LME40N	LME40
50	LME50N	LME50
60	LME60N	LME60

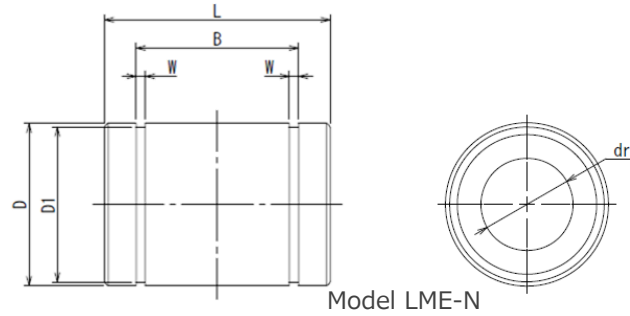
Clearance adjustable		
Dia.	Model No.	
40	LME40N-AJ	LME40-AJ
50	LME50N-AJ	LME50-AJ
60	LME60N-AJ	LME60-AJ

Open		
Dia.	Model No.	
16	LME16N-OP	LME16-OP
20	LME20N-OP	LME20-OP
25	LME25N-OP	LME25-OP
30	LME30N-OP	LME30-OP
40	LME40N-OP	LME40-OP
50	LME50N-OP	LME50-OP
60	LME60N-OP	LME60-OP

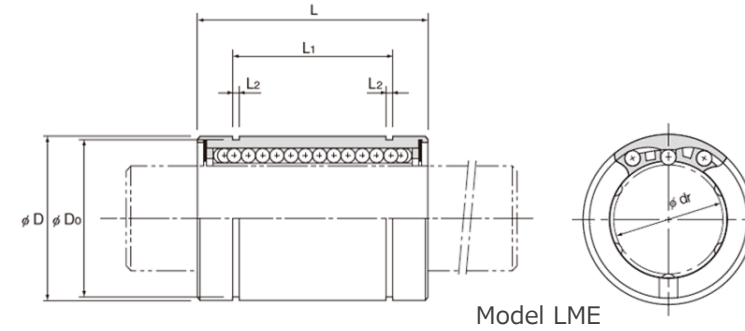
Standard Model LME-N/LME



Specification Table 40/50/60 -1



Model LME-N



Model LME

Model LME-N

Unit: mm

Model No.	Ball rows	Main dimensions									
		Inscribed bore diameter		Outer diameter		Length		Tolerance		W	D ₁
Standard	dr	Tolerance	D	Tolerance	L	Tolerance	B	Tolerance			
LME40N	6	40	+0.013 -0.002	62	0 -0.013	80	0 -0.3	60.6	0 -0.3	2.15	59
LME50N	6	50	+0.013 -0.002	75	0 -0.013	100	0 -0.3	77.6	0 -0.3	2.65	72
LME60N	6	60	+0.013 -0.002	90	0 -0.015	125	0 -0.4	101.7	0 -0.4	3.15	86.5

Model LME

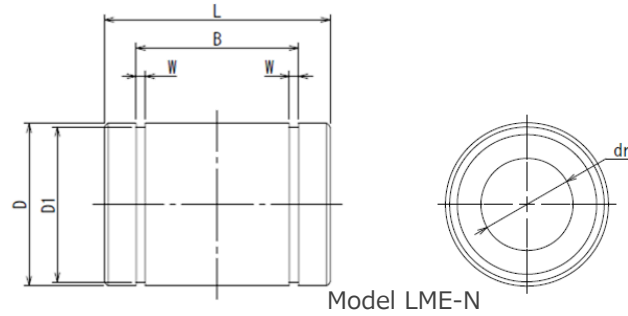
Unit: mm

Model No.	Ball rows _l	Main dimensions									
		Inscribed bore diameter		Outer diameter		Length		Tolerance		L ₂	D ₀
Standard	dr	Tolerance	D	Tolerance	L	Tolerance	L ₁	Tolerance			
LME40	6	40	+0.013 -0.002	62	0 -0.013	80	0 -0.3	60.6	0 -0.3	2.15	59
LME50	6	50	+0.013 -0.002	75	0 -0.013	100	0 -0.3	77.6	0 -0.3	2.65	72
LME60	6	60	+0.013 -0.002	90	0 -0.015	125	0 -0.4	101.7	0 -0.4	3.15	86.5

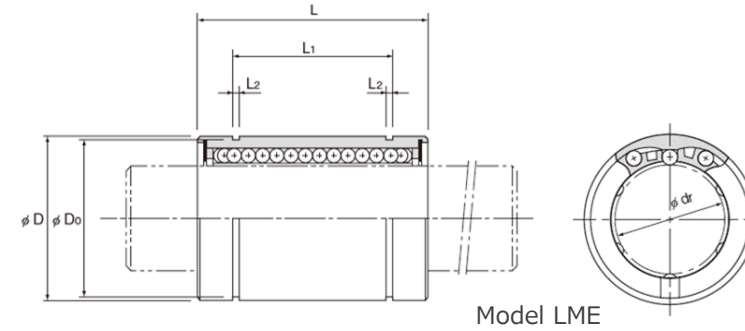
Standard Model LME-N/LME



Specification Table 40/50/60 -2



Model LME-N



Model LME

Model LME-N

Unit: mm

Model No.	Eccentricity (max)	Radial clearance tolerance μm	Basic load rating		Mass g
			C N	C_0 N	
Standard	μm	μm			
LME40N	17	-8	2160	4020	770
LME50N	17	-13	3820	7940	1250
LME60N	20	-13	4700	9800	2220

Model LME

Unit: mm

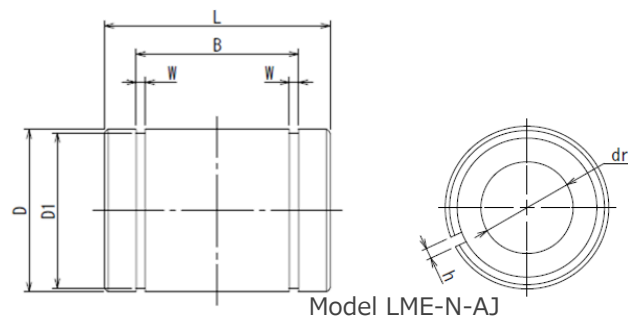
Model No.	Eccentricity (max)	Radial clearance tolerance μm	Basic load rating		Mass g
			C N	C_0 N	
Standard	μm	μm			
LME40	17	-13	2160	4020	673
LME50	17	-13	3820	7940	1025
LME60	20	-16	4710	10000	1914

different

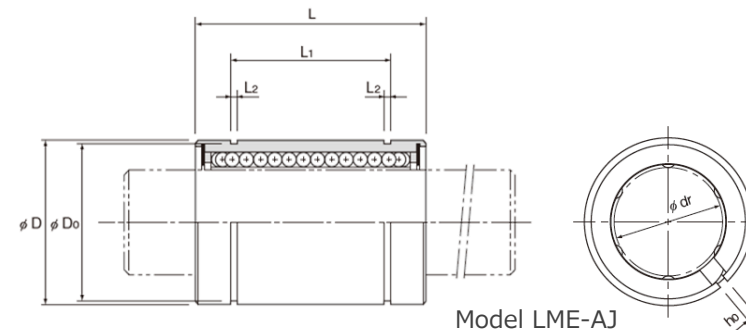
Clearance adjustable Model LME-N-AJ/LME-AJ



Specification Table 40/50/60 -1



Model LME-N-AJ



Model LME-AJ

Model LME-N-AJ

Unit: mm

Model No.	Clearance-adjustable	Ball rows	Main dimensions										
			Inscribed bore diameter		Outer diameter		Length		B	Tolerance	W	D ₁	h
			dr	Tolerance	D	Tolerance	L	Tolerance					
LME40N-AJ	6	40	+0.013 -0.002	62	0 -0.013	80	0 -0.3	60.6	0 -0.3	2.15	59	3	
LME50N-AJ	6	50	+0.013 -0.002	75	0 -0.013	100	0 -0.3	77.6	0 -0.3	2.65	72	3	
LME60N-AJ	6	60	+0.013 -0.002	90	0 -0.015	125	0 -0.4	101.7	0 -0.4	3.15	86.5	3	

Model LME-AJ

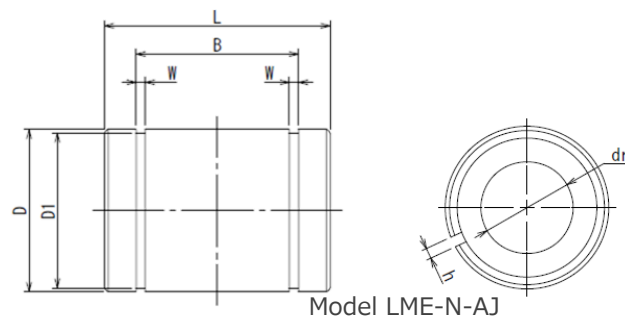
Unit: mm

Model No.	Clearance-adjustable	Ball rows	Main dimensions										
			Inscribed bore diameter		Outer diameter		Length		L ₁	Tolerance	L ₂	D ₀	h ₀
			dr	Tolerance	D	Tolerance	L	Tolerance					
LME40-AJ	6	40	+0.013 -0.002	62	0 -0.013	80	0 -0.3	60.6	0 -0.3	2.15	59	3	
LME50-AJ	6	50	+0.013 -0.002	75	0 -0.013	100	0 -0.3	77.6	0 -0.3	2.65	72	3	
LME60-AJ	6	60	+0.013 -0.002	90	0 -0.015	125	0 -0.4	101.7	0 -0.4	3.15	86.5	3	

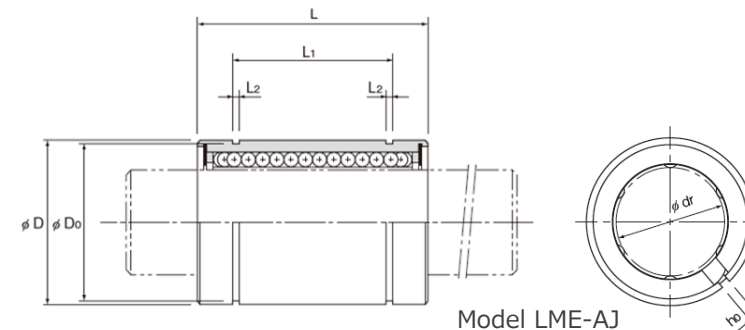
Clearance adjustable Model LME-N-AJ/LME-AJ



Specification Table 40/50/60 -2



Model LME-N-AJ



Model LME-AJ

Model LME-N-AJ

Unit: mm

Model No.	Eccentricity (max) μm	Basic load rating		Mass g
		C N	C ₀ N	
LME40N-AJ	17	2160	4020	758
LME50N-AJ	17	3820	7940	1230
LME60N-AJ	20	4700	9800	2170

Model LME-AJ

Unit: mm

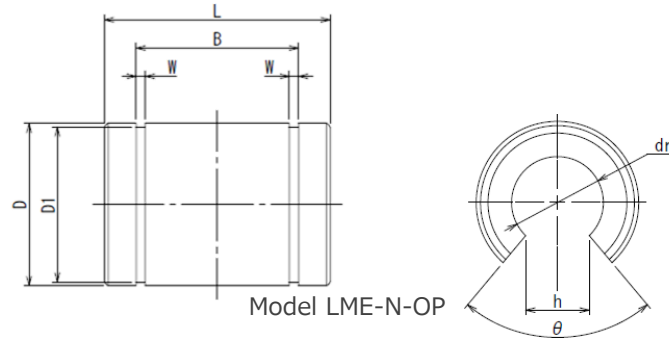
Model No.	Eccentricity (max) μm	Basic load rating		Mass g
		C N	C ₀ N	
LME40-AJ	17	2160	4020	662
LME50-AJ	17	3820	7940	1012
LME60-AJ	20	4710	10000	1895

different

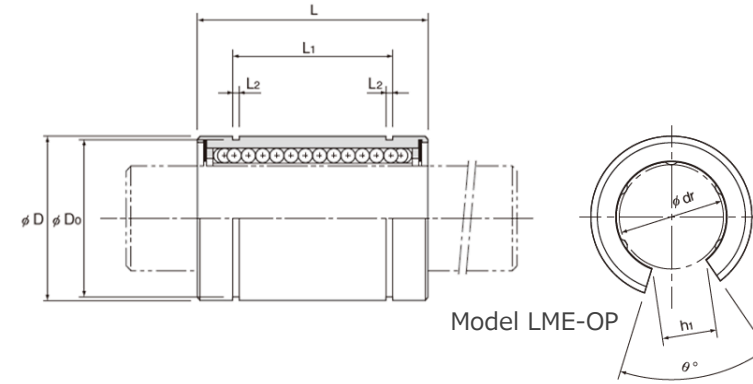
Open Model LME-N-OP/LME-OP



Specification Table 16/20/25/30 -1



Model LME-N-OP



Model LME-OP

Unit: mm

Model LME-N-OP

Model No.	Ball rows	Main dimensions											
		Inscribed bore diameter		Outer diameter		Length		B	Tolerance	W	D ₁	h	θ°
		dr	Tolerance	D	Tolerance	L	Tolerance						
Open													
LME16N-OP	3	16	+0.009 -0.001	26	0 -0.009	36	0 -0.2	24.9	0 -0.2	1.3	24.9	10	78
LME20N-OP	4	20	+0.009 -0.001	32	0 -0.011	45	0 -0.2	31.5	0 -0.2	1.6	30.3	10	60
LME25N-OP	5	25	+0.011 -0.001	40	0 -0.011	58	0 -0.3	44.1	0 -0.3	1.85	37.5	12.5	60
LME30N-OP	5	30	+0.011 -0.001	47	0 -0.011	68	0 -0.3	52.1	0 -0.3	1.85	44.5	12.5	50

Model LME-OP

Unit: mm

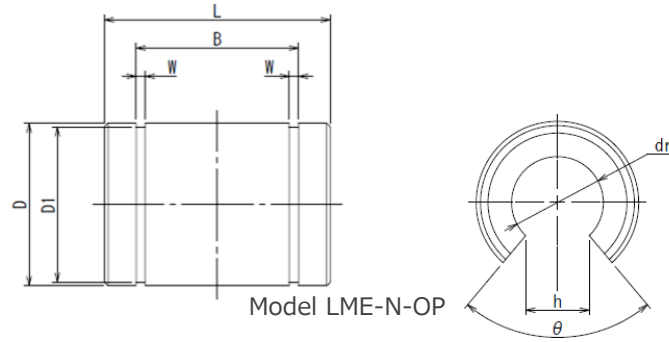
Model No.	Ball rows	Main dimensions											
		Inscribed bore diameter		Outer diameter		Length		L ₁	Tolerance	L ₂	D ₀	h ₁	θ°
		dr	Tolerance	D	Tolerance	L	Tolerance						
Open													
LME16-OP	4	16	+0.009 -0.001	26	0 -0.009	36	0 -0.2	24.9	0 -0.2	1.3	24.9	10	78
LME20-OP	4	20	+0.009 -0.001	32	0 -0.011	45	0 -0.2	31.5	0 -0.2	1.6	30.3	10	60
LME25-OP	5	25	+0.011 -0.001	40	0 -0.011	58	0 -0.3	44.1	0 -0.3	1.85	37.5	12.5	60
LME30-OP	5	30	+0.011 -0.001	47	0 -0.011	68	0 -0.3	52.1	0 -0.3	1.85	44.5	12.5	50

different

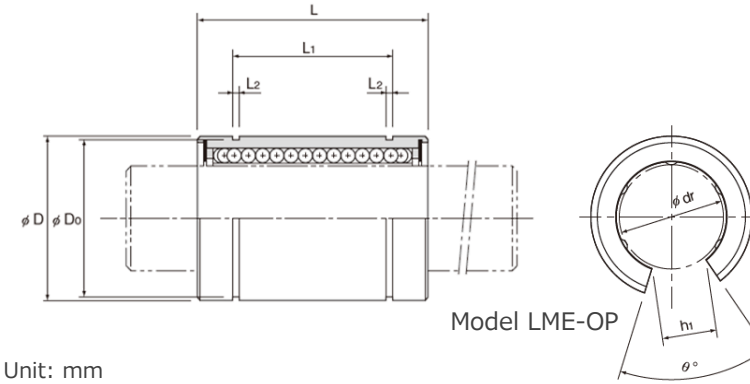
Open Model LME-N-OP/LME-OP



Specification Table 16/20/25/30 -2



Model LME-N-OP



Model LME-OP

Model LME-N-OP

Unit: mm

Model No.	Eccentricity (max)	Basic load rating		Mass
		C	C ₀	
Open	μm	N	N	g
LME16N-OP	12	578	892	48
LME20N-OP	15	862	1370	84
LME25N-OP	15	980	1570	195
LME30N-OP	15	1570	2740	309

Model LME-OP

Unit: mm

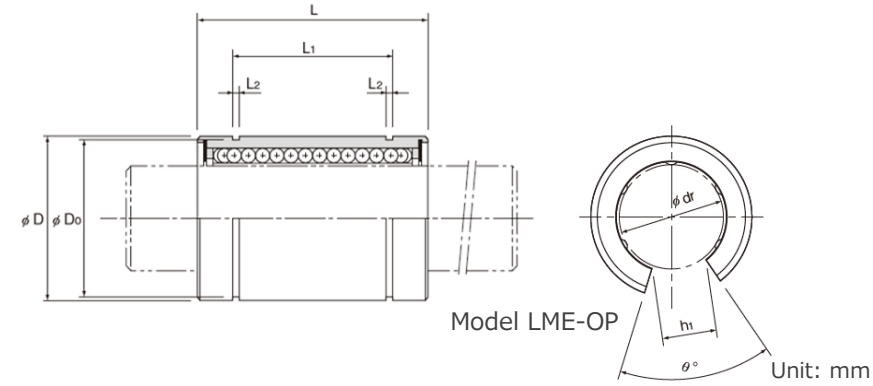
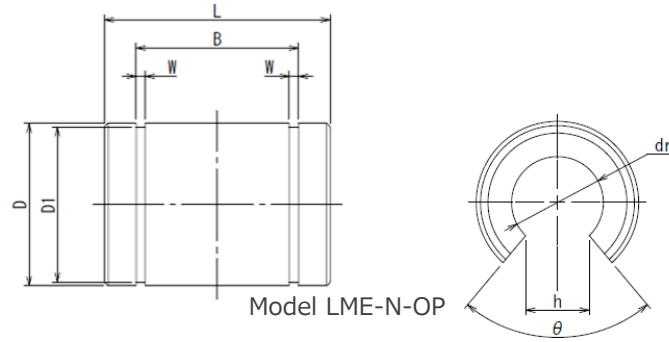
Model No.	Eccentricity (max)	Basic load rating		Mass
		C	C ₀	
Open	μm	N	N	g
LME16-OP	12	775	1180	41
LME20-OP	15	863	1370	72
LME25-OP	15	980	1570	171
LME30-OP	15	1570	2750	254

different

Open Model LME-N-OP/LME-OP



Specification Table 40/50/60 -1



Model LME-N-OP

Model No.	Ball rows	Main dimensions											
		Inscribed bore diameter		Outer diameter		Length		Tolerance		W	D ₁	h	θ°
Open	dr	Tolerance	D	Tolerance	L	Tolerance	B	Tolerance					
LME40N-OP	6	40	+0.013 -0.002	62	0 -0.013	80	0 -0.3	60.6	0 -0.3	2.15	59	16.8	50
LME50N-OP	6	50	+0.013 -0.002	75	0 -0.013	100	0 -0.3	77.6	0 -0.3	2.65	72	21	50
LME60N-OP	6	60	+0.013 -0.002	90	0 -0.015	125	0 -0.4	101.7	0 -0.4	3.15	86.5	27.2	54

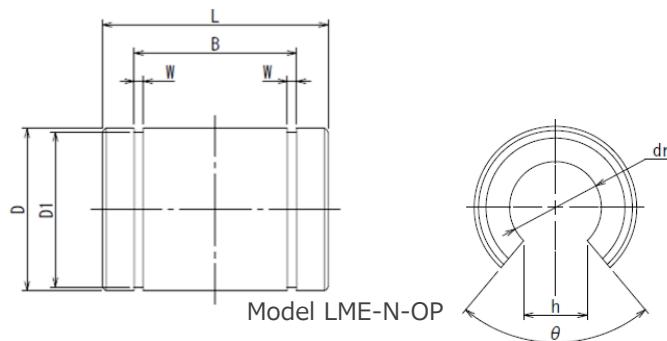
Model LME-OP

Model No.	Ball rows	Main dimensions											
		Inscribed bore diameter		Outer diameter		Length		Tolerance		L ₂	D ₀	h ₁	θ°
Open	dr	Tolerance	D	Tolerance	L	Tolerance	L ₁	Tolerance					
LME40-OP	6	40	+0.013 -0.002	62	0 -0.013	80	0 -0.3	60.6	0 -0.3	2.15	59	16.8	50
LME50-OP	6	50	+0.013 -0.002	75	0 -0.013	100	0 -0.3	77.6	0 -0.3	2.65	72	21	50
LME60-OP	6	60	+0.013 -0.002	90	0 -0.015	125	0 -0.4	101.7	0 -0.4	3.15	86.5	27.2	54

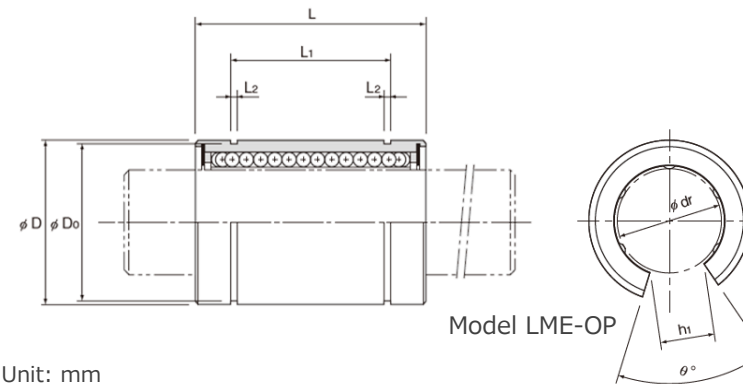
Open Model LME-N-OP/LME-OP



Specification Table 40/50/60 -2



Model LME-N-OP



Model LME-OP

Model LME-N-OP

Unit: mm

Model No.	Eccentricity (max)	Basic load rating		Mass
		C	C ₀	
Open	μm	N	N	g
LME40N-OP	17	2160	4020	665
LME50N-OP	17	3820	7940	1080
LME60N-OP	20	4700	9800	1900

Model LME-OP

Unit: mm

Model No.	Eccentricity (max)	Basic load rating		Mass
		C	C ₀	
Open	μm	N	N	g
LME40-OP	17	2160	4020	585
LME50-OP	17	3820	7940	890
LME60-OP	20	4710	10000	1590

different