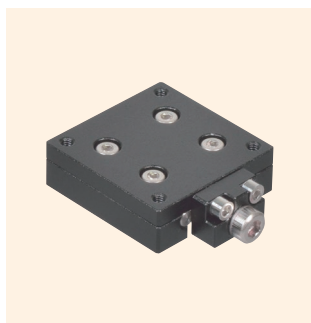


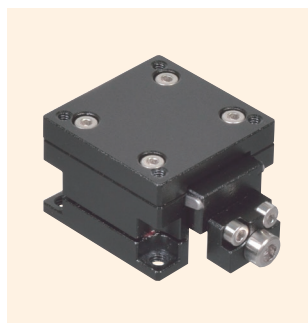
Fix Stages



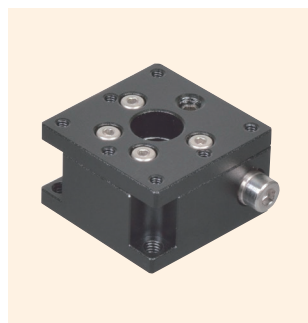
↑ TLS-2551FX



↑ TLD-2551FX



↑ TLV-2551FX



↑ TRS-P2551FX

Features

- Clamp-free stages that do not move after position adjustment.
- The special mechanism suppresses backlash.
- A hex wrench is used for position adjustment. *The hex wrench is not included. This should be prepared by the customer.
- It is possible to change out the hex wrench for a special wrench shape (optional).
- Optimal for a workpiece such as a camera or sensor that must keep the position fixed, rather than one that requires constant positioning.
- Compact stage size at just 25 x 25 mm, yet enables up to 6 axes to be configured.
- Rotary stages with a transmission hole in the stage center.

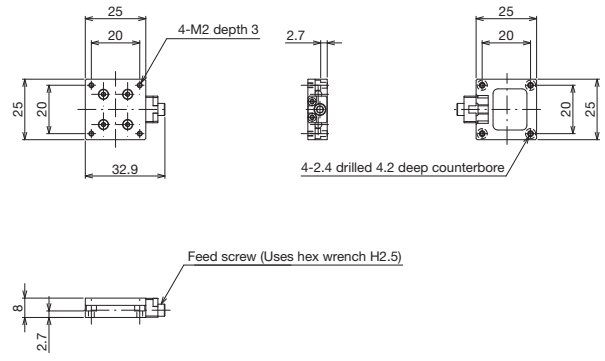
*There are limitations on the load capacity depending on the installation direction. Contact us for details.

Model number	TLS-2551FX	TLD-2551FX	TLV-2551FX	TRS-P2551FX
Model name	X Fix Stage 25 x 25	XY Fix Stage 25 x 25	Z Lift Fix Stage 25 x 25	Transmission Rotary Fix Stage 25 x 25
Travel direction	X-axis single direction	XY-axis double direction	Z-axis single direction	Rotation direction
Stage height	8 mm	16 mm	17.5 mm	15 mm
Stage surface	25 mm x 25 mm			
Clamp method	Clamp-free			
Feed method	Feed screw P=0.5 mm			
Travel amount	±3 mm		0 to 1 mm	±5°
Travel guide	Sliding			
Load capacity	4.9 N (0.5 kgf)			
Mass	0.02 kg	0.04 kg		0.03 kg
Main materials	Aluminum alloy/black satin anodized finish			

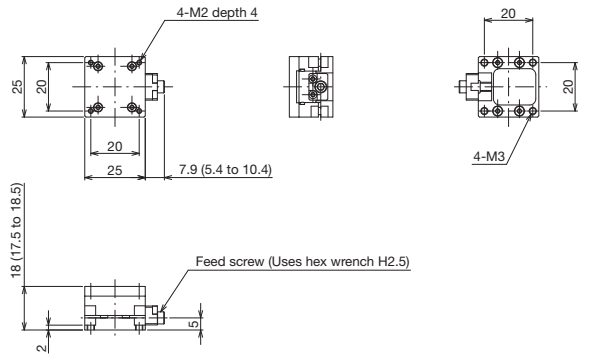


Fix Stages ◀ Manual Stages ◀

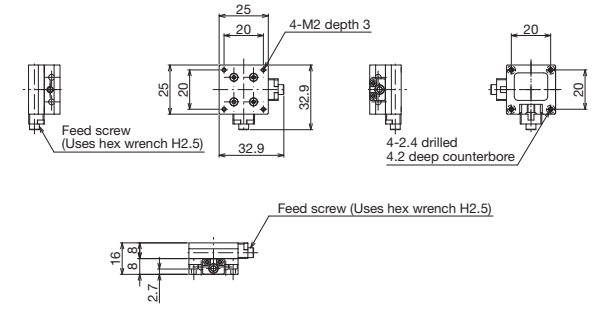
Product Appearance



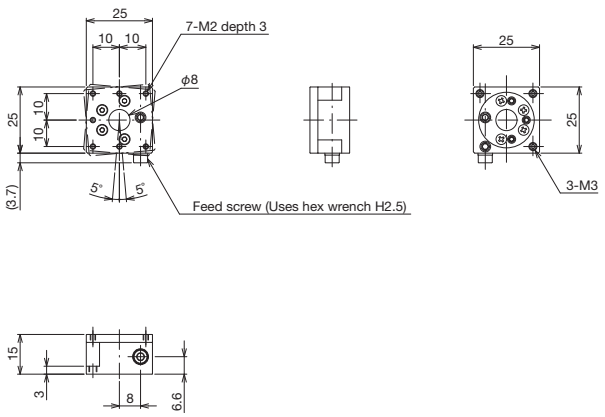
↑ TLS-2551FX



↑ TLV-2551FX



↑ TLD-2551FX



↑ TRS-P2551FX

Motorized Stages	Automated Products for Microscopes	Manual Stages	Fix Stages	Thin V8 Stages	Rack & Pinion Stages	High-Grade Stages	Spin Stages, Cross Roller Stages	Z-Like Stages	Rotary Stages	TR Stages	TR/Rotary Stages	XZ, YZ Stages	XZ Stages
------------------	------------------------------------	---------------	------------	----------------	----------------------	-------------------	----------------------------------	---------------	---------------	-----------	------------------	---------------	-----------