

## Rack & Pinion - XY Stages 40 x 40, 40 x 60



↑ TLD-412



↑ TLD-412W



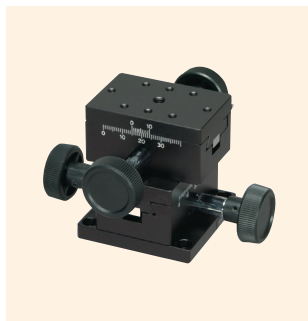
↑ TLD-412S



↑ TLD-412WS



↑ TLD-612



↑ TLD-612W



↑ TLD-612S



↑ TLD-612WS

### Features

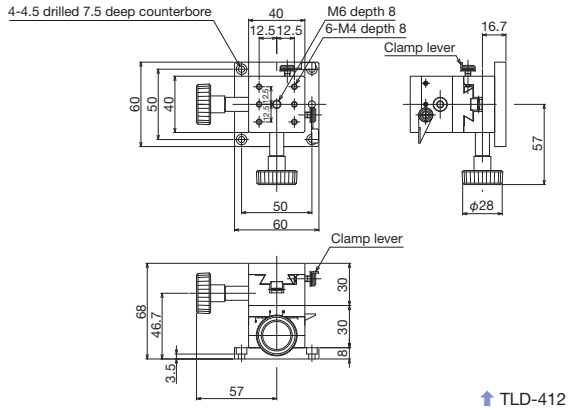
- The travel unit uses a dovetail (D-T method) for the travel guide.
- A rack & pinion is used for the feed method, achieving large travel amounts.
- Versatile use for positioning of cameras, sensors, etc.
- A lever type clamp enables fixing in a desired position with strong retention force.

Model number	TLD-412	TLD-412W	TLD-412S	TLD-412WS	TLD-612	TLD-612W	TLD-612S	TLD-612WS
Model name	DT XY Stage 40 x 40	DT XY Stage 40 x 40 (Double Knob)	DT XY Stage 40 x 40 (Coarse/ Fine Movement Knob)	DT XY Stage 40 x 40 (Double Coarse/ Fine Movement Knob)	DT XY Stage 40 x 60	DT XY Stage 40 x 60 (Double Knob)	DT XY Stage 40 x 60 (Coarse/ Fine Movement Knob)	DT XY Stage 40 x 60 (Double Coarse/ Fine Movement Knob)
Travel direction	XY-axis double direction							
Stage surface	40 mm x 40 mm				40 mm x 60 mm			
Clamp method	Lever method							
Operating part mounting position	Single knob	Double knob	Single coarse/fine movement knob	Double coarse/fine movement knob	Single knob	Double knob	Single coarse/fine movement knob	Double coarse/fine movement knob
Feed method	Rack & pinion method							
Travel amount	±10 mm				±15 mm			
Travel amount/1 knob rotation	Approx. 18 mm		Coarse movement: approx. 25.5 mm, Fine movement: approx. 3.3 mm		Approx. 18 mm		Coarse movement: approx. 25.5 mm, Fine movement: approx. 3.3 mm	
Scale	Vernier reading: 0.1 mm							
Sensitivity	0.1 mm							
Travel guide	Dovetail							
Travel accuracy	Straightness: 0.03 mm							
Load capacity	39.2 N (4 kgf)							
Mass	0.41 kg	0.46 kg	0.55 kg	0.66 kg	0.54 kg	0.59 kg	0.68 kg	0.8 kg
Main materials/surface treatment	Aluminum alloy/black satin anodized finish							

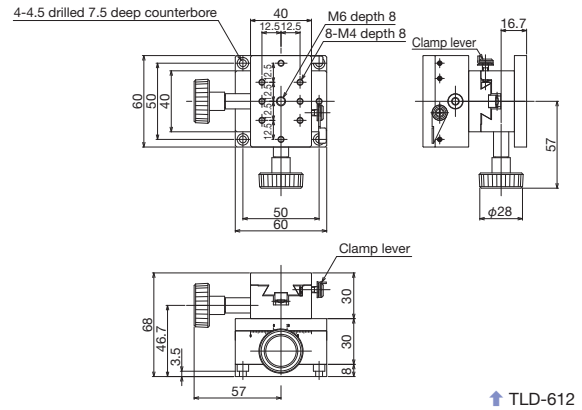


# Rack & Pinion Stages ◀ Manual Stages ◀

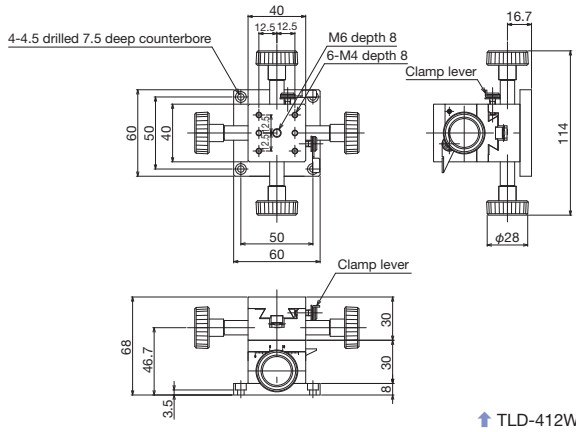
## Product Appearance



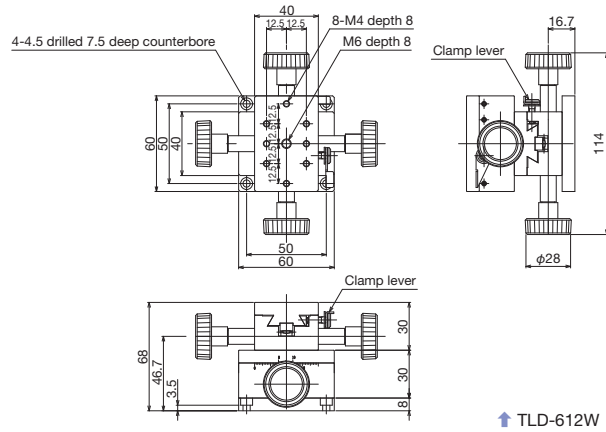
↑ TLD-412



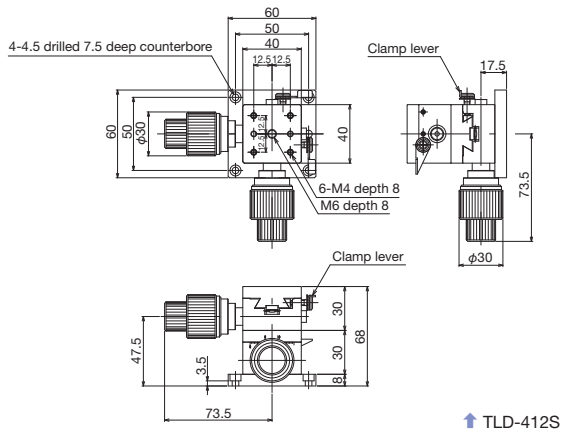
↑ TLD-612



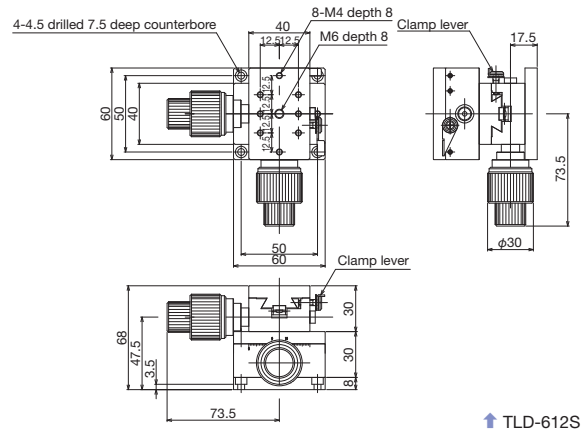
↑ TLD-412W



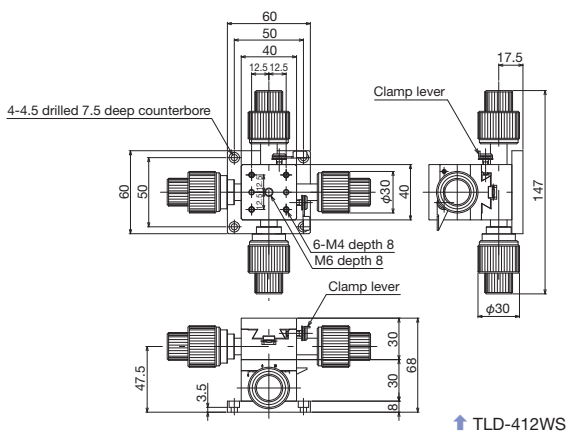
↑ TLD-612W



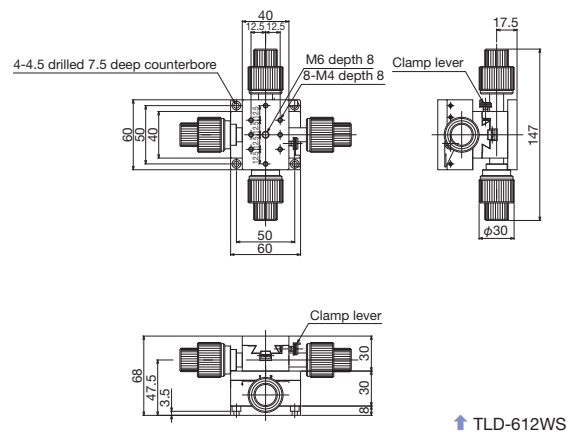
↑ TLD-412S



↑ TLD-612S



↑ TLD-412WS



↑ TLD-612WS

Motorized Stages	Automated Products for Microscopes
Fix Stages	Manual Stages
Thin VB Stages	
Rack & Pinion Stages	
High-Grade Stages	
Stein Stages, Cross Roller Stages	
Z-Like Stages, Z Stages	
Rotary Stages	
Tilt Stages	
Tilt/Rotary Stages	
XZ, YZ Stages	
XYZ Stages	

## Rack & Pinion - XY Stages 40 x 90, 40 x 140



↑ TLD-912



↑ TLD-912W



↑ TLD-912S



↑ TLD-912WS



↑ TLD-112



↑ TLD-112W



↑ TLD-112S



↑ TLD-112WS

### Features

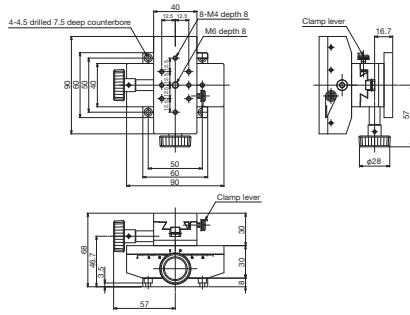
- The travel unit uses a dovetail (D-T method) for the travel guide.
- A rack & pinion is used for the feed method, achieving large travel amounts.
- Versatile use for positioning of cameras, sensors, etc.
- A lever type clamp enables fixing in a desired position with strong retention force.

Model number	TLD-912	TLD-912W	TLD-912S	TLD-912WS	TLD-112	TLD-112W	TLD-112S	TLD-112WS
Model name	DT XY Stage 40 x 90	DT XY Stage 40 x 90 (Double Knob)	DT XY Stage 40 x 90 (Coarse/ Fine Movement Knob)	DT XY Stage 40 x 90 (Double Coarse/ Fine Movement Knob)	DT XY Stage 40 x 140	DT XY Stage 40 x 140 (Double Knob)	DT XY Stage 40 x 140 (Coarse/ Fine Movement Knob)	DT XY Stage 40 x 140 (Double Coarse/ Fine Movement Knob)
Travel direction	XY-axis double direction							
Stage surface	40 mm x 90 mm				40 mm x 140 mm			
Clamp method	Lever method							
Operating part mounting position	Single knob	Double knob	Single coarse/fine movement knob	Double coarse/fine movement knob	Single knob	Double knob	Single coarse/fine movement knob	Double coarse/fine movement knob
Feed method	Rack & pinion method							
Travel amount	±30 mm				±50 mm			
Travel amount/1 knob rotation	Approx. 18 mm		Coarse movement: approx. 25.5 mm, Fine movement: approx. 3.3 mm		Approx. 18 mm		Coarse movement: approx. 25.5 mm, Fine movement: approx. 3.3 mm	
Scale	Vernier reading: 0.1 mm							
Sensitivity	0.1 mm							
Travel guide	Dovetail							
Travel accuracy	Straightness: 0.03 mm							
Load capacity	39.2 N (4 kgf)							
Mass	0.72 kg	0.77 kg	0.9 kg	1.01 kg	1.07 kg	1.12 kg	1.19 kg	1.3 kg
Main materials/surface treatment	Aluminum alloy/black satin anodized finish							

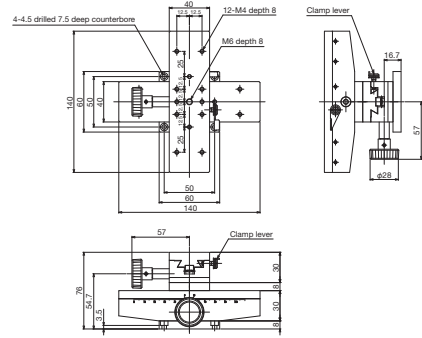


Rack & Pinion Stages ◀ Manual Stages ◀

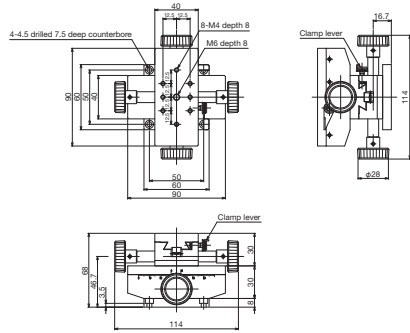
Product Appearance



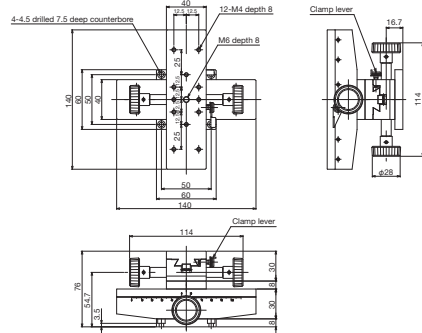
↑ TLD-912



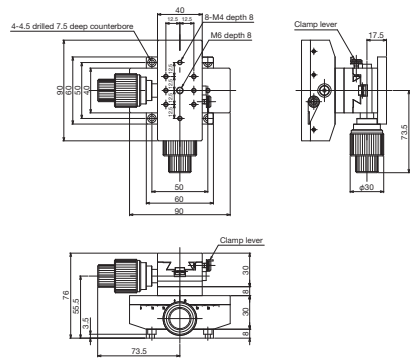
↑ TLD-112



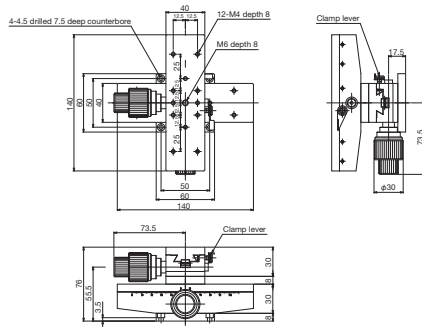
↑ TLD-912W



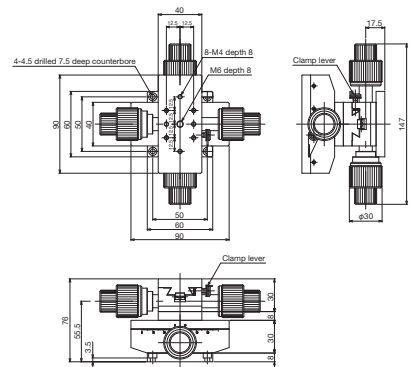
↑ TLD-112W



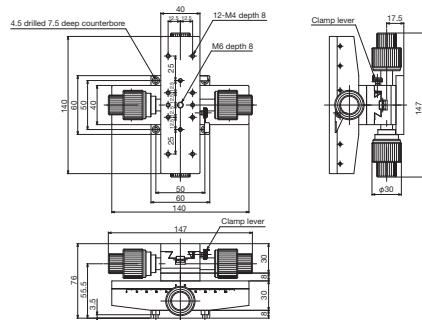
↑ TLD-912S



↑ TLD-112S



↑ TLD-912WS



↑ TLD-112WS

Motorized Stages	Automated Products for Microscopes
Fix Stages	Manual Stages
Thin VB Stages	
Rack & Pinion Stages	
High-Grade Stages	
Stein Stages, Cross Roller Stages	
Z-Like Stages, Z Stages	
Rotary Stages	
Tilt Stages	
Tilt/Rotary Stages	
XZ, YZ Stages	
XYZ Stages	