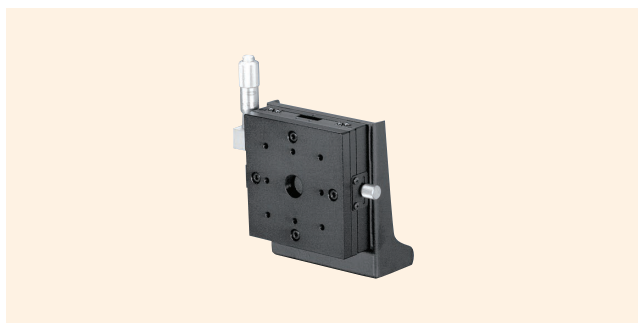
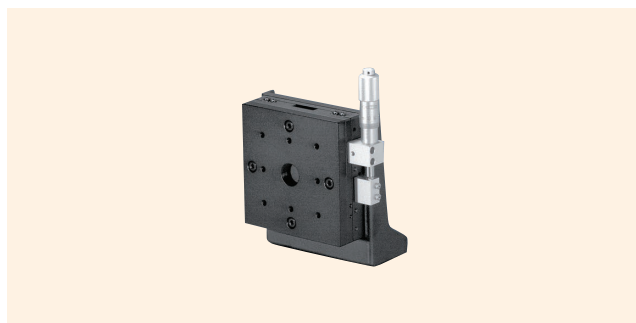


## Z Slim Stages 90 x 90



↑ TLZ-947-S1



↑ TLZ-947-R1

### Features

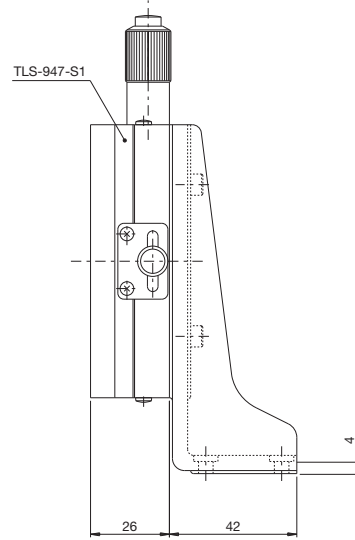
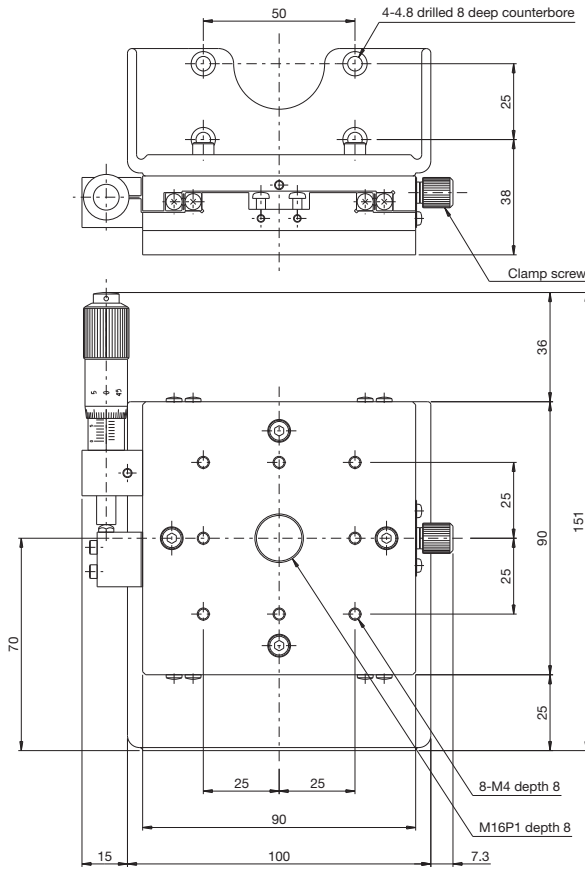
- A thin, lightweight stage that uses a V-groove and cross rollers (V-CR method) for the travel guides.
- Select between side or reverse side for the operating part mounting position.
- Versatile use for precision positioning of cameras, sensors, workpieces, and more.

| Model number                     | TLZ-947-S1                                 | TLZ-947-R1   |
|----------------------------------|--|--------------|
| Model name                       | Z Bracket Slim Stage 90 x 90               |              |
| Travel direction                 | Z-axis single direction                    |              |
| Stage surface                    | 90 mm x 90 mm                              |              |
| Clamp method                     | Plate clamp                                |              |
| Operating part mounting position | Side                                       | Reverse side |
| Feed method                      | MHM1-15 (standard micrometer)              |              |
| Travel amount                    | ±7.5 mm                                    |              |
| Travel amount/1 knob rotation    | 0.5 mm                                     |              |
| Scale                            | Micrometer 0.01 mm                         |              |
| Sensitivity                      | 0.003 mm                                   |              |
| Travel guide                     | V-groove and cross rollers                 |              |
| Travel accuracy                  | Straightness: 0.003 mm                     |              |
| Load capacity                    | 29.4 N (3 kgf)                             |              |
| Mass                             | 0.91 kg                                    |              |
| Main materials/surface treatment | Aluminum alloy/black satin anodized finish |              |

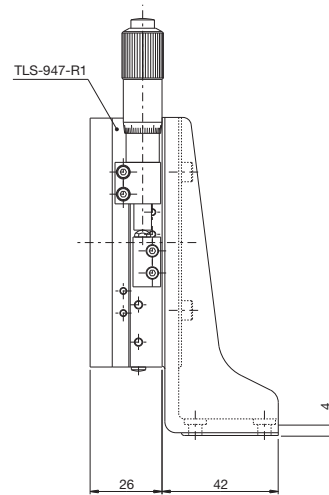
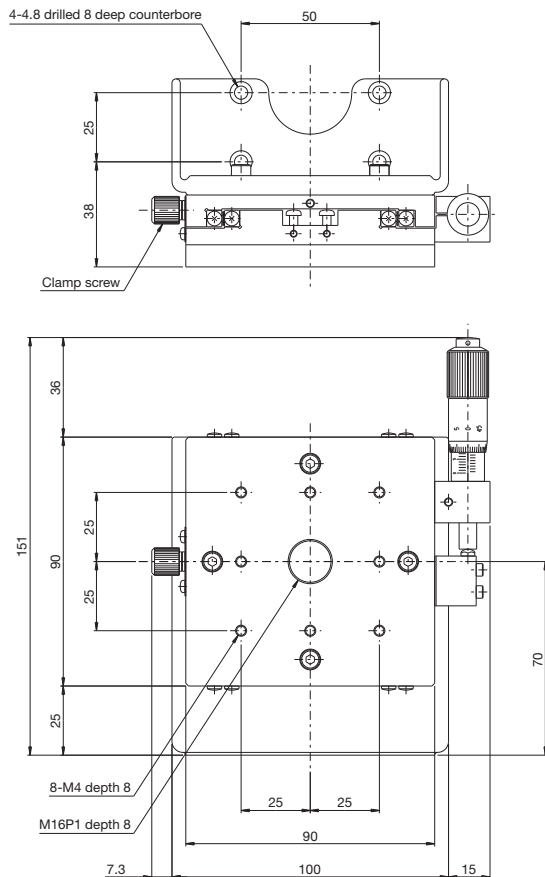


Slim Stages, Cross Roller Stages ◀ Manual Stages ◀

Product Appearance



↑ TLS-947-S1



↑ TLS-947-R1

|                  |                                    |               |            |                |                      |                   |                                  |                         |               |           |                  |               |           |
|------------------|------------------------------------|---------------|------------|----------------|----------------------|-------------------|----------------------------------|-------------------------|---------------|-----------|------------------|---------------|-----------|
| Motorized Stages | Automated Products for Microscopes | Manual Stages | Fix Stages | Thin VB Stages | Rack & Pinion Stages | High-Grade Stages | Slim Stages, Cross Roller Stages | Z-Like Stages, Z Stages | Rotary Stages | TR Stages | TR/Rotary Stages | XZ, YZ Stages | XZ Stages |
|------------------|------------------------------------|---------------|------------|----------------|----------------------|-------------------|----------------------------------|-------------------------|---------------|-----------|------------------|---------------|-----------|