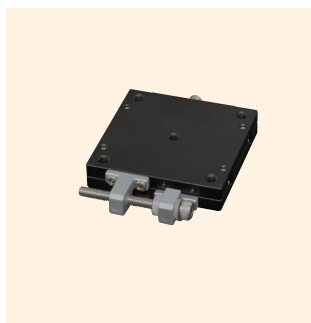


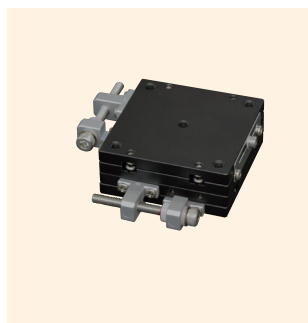
Thin VB Stages 40 x 40, 60 x 60



↑ TLS-T4039-S6



↑ TLS-T6039-S6



↑ TLD-T4039-S6



↑ TLD-T6039-S6

Features

- A stage with a new structure that utilizes the attraction force of magnets.
- Achieves a never-before-seen, surprisingly thin 8 mm form (XY stages are 16 mm).

Model number	TLS-T4039-S6	TLS-T6039-S6	TLD-T4039-S6	TLD-T6039-S6
Model name	Thin VB X Stage 40 x 40	Thin VB X Stage 60 x 60	Thin VB XY Stage 40 x 40	Thin VB XY Stage 60 x 60
Travel direction	X-axis single direction		XY-axis double direction	
Stage surface	40 mm x 40 mm	60 mm x 60 mm	40 mm x 40 mm	60 mm x 60 mm
Stage height	8 mm		16 mm	
Travel amount	±6.5 mm			
Feed mechanism	Side feed screw M3P0.5 (hex socket bolt)			
Clamp method	Plate clamp			
Travel guide	V-groove and steel balls			
Load capacity	98 N (10 kgf)	147 N (15 kgf)	97 N (9.9 kgf)	145 N (14.8 kgf)
Mass	0.09 kg	0.20 kg	0.18 kg	0.40 kg
Main materials/surface treatment	Steel/black oxide chrome			

*Do not place items sensitive to magnets in the vicinity, as this product uses permanent magnets.

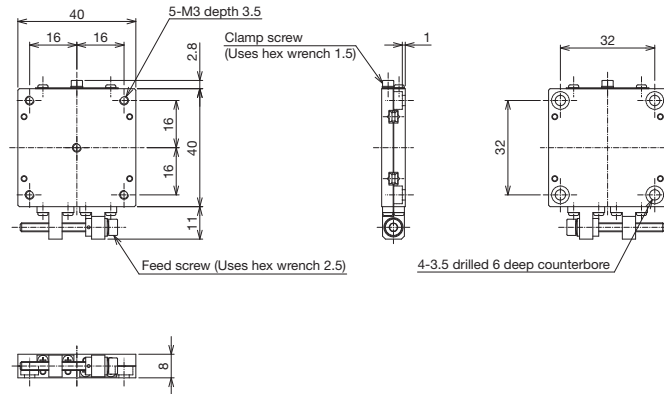
*The stage surface is finished using a face mill.

*Avoid using for the Z axis or in a manner in which unbalanced loads may be applied.

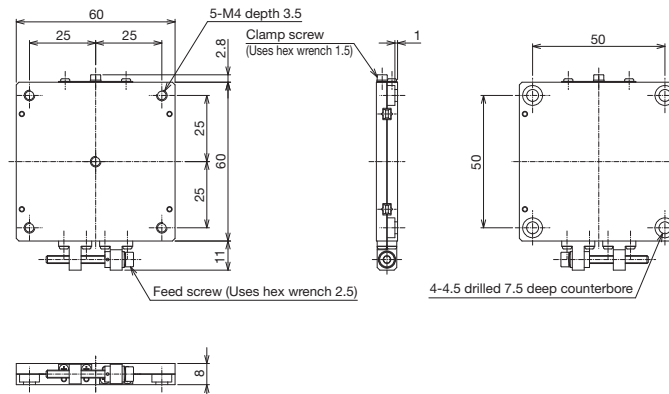


Thin VB Stages ◀ Manual Stages ◀

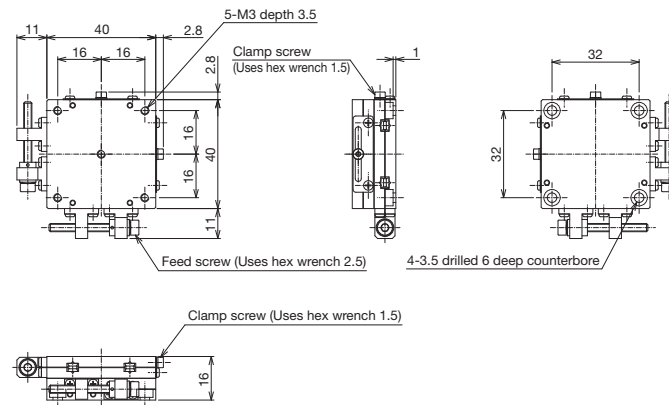
Product Appearance



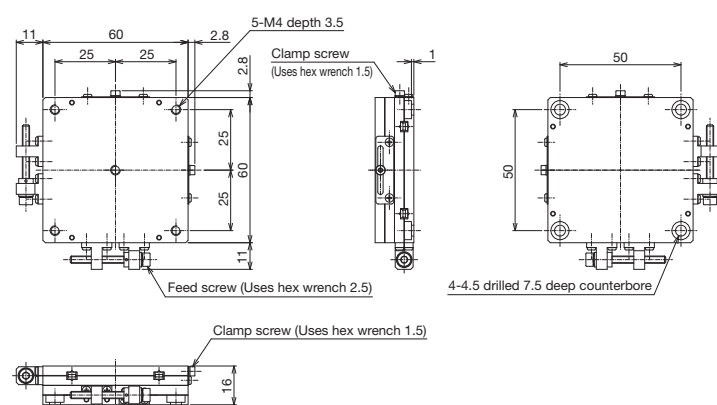
↑ TLS-T4039-S6



↑ TLS-T6039-S6



↑ TLD-T4039-S6



↑ TLD-T6039-S6

Motorized Stages	Automated Products for Microscopes	Manual Stages	Fix Stages	Thin VB Stages	Rack & Pinion Stages	High-Grade Stages	Stein Stages, Cross Roller Stages	Z-Like Stages, Z Stages	Rotary Stages	Tilt Stages	Tilt/Rotary Stages	XZ, YZ Stages	X/YZ Stages
------------------	------------------------------------	---------------	------------	----------------	----------------------	-------------------	-----------------------------------	-------------------------	---------------	-------------	--------------------	---------------	-------------