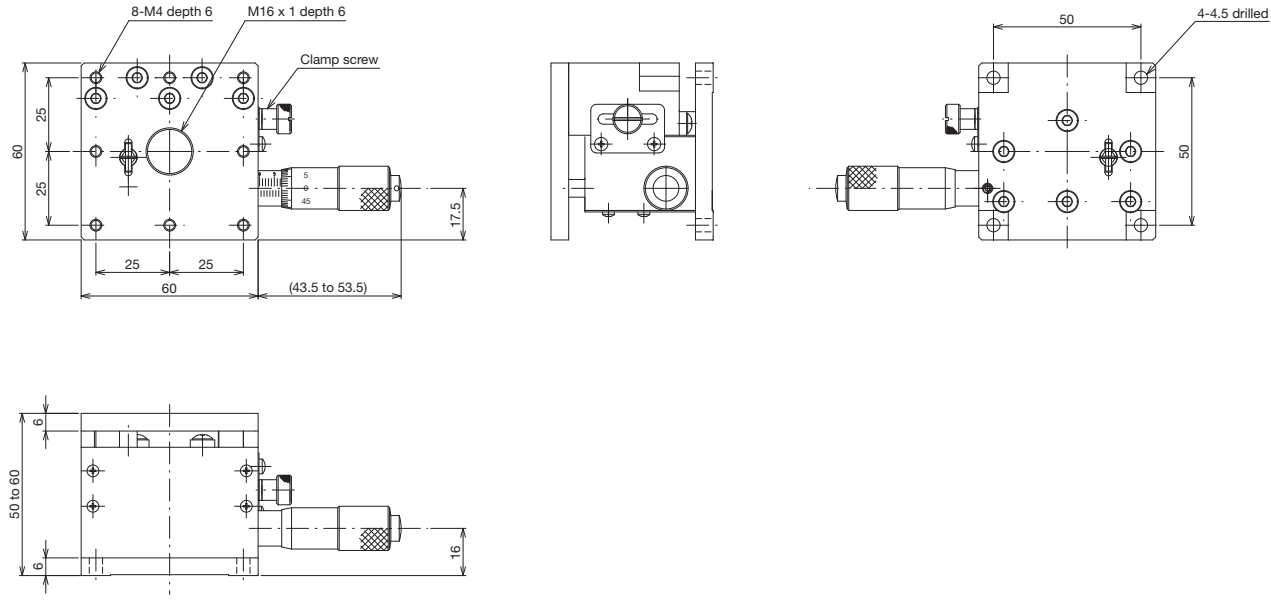


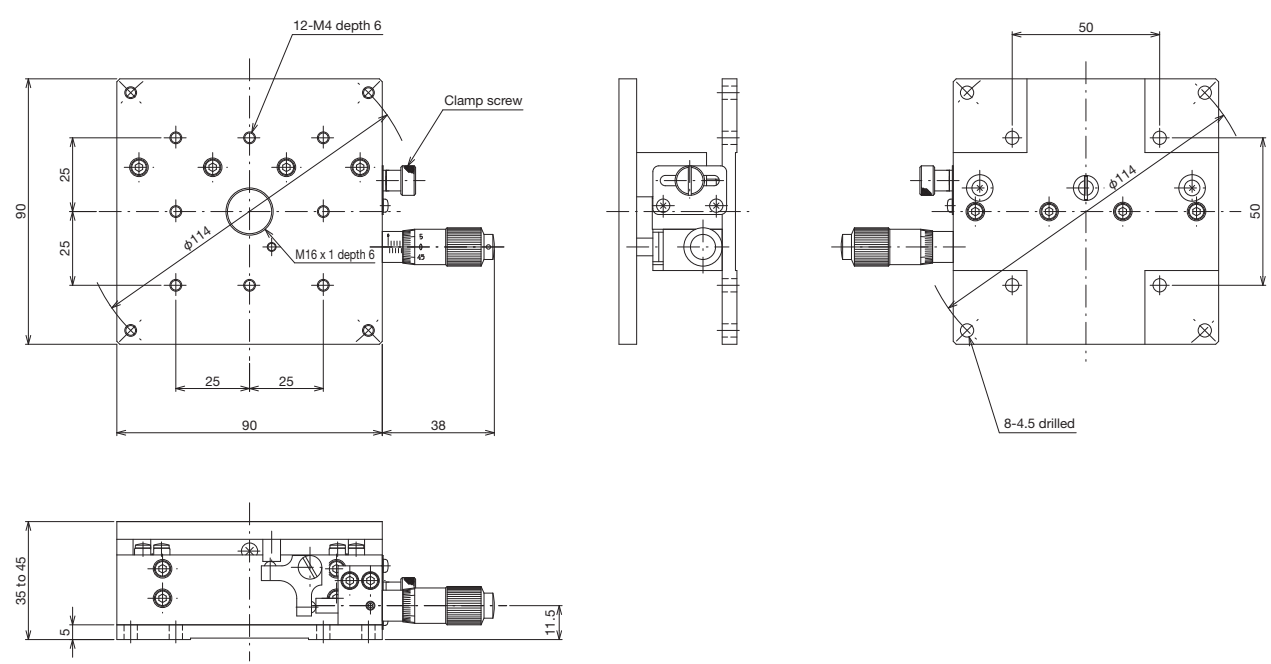


Z Lift Stages, Z Stages ◀ Manual Stages ◀

Product Appearance



TLV-642-1



TLV-937-1

Motorized Stages	Automated Products for Microscopes	Manual Stages	Fix Stages	Thin VB Stages	Rack & Pinion Stages	High-Grade Stages	Spin Stages, Cross Roller Stages	Z Lift Stages, Z Stages	Rodless Stages	TTL Stages	TTL/Rotary Stages	XZ, YZ Stages	XYZ Stages
------------------	------------------------------------	---------------	------------	----------------	----------------------	-------------------	----------------------------------	-------------------------	----------------	------------	-------------------	---------------	------------

Lab Jacks



↑ TLV-151-2



↑ TLV-251-2

Features

- A lift type Z axis stage adopting a pantograph mechanism.
- Has greater load capacity than other precision stages to enable heavy workpieces to be loaded.
- Versatile use for coarse positioning of laser transmitters and jigs for experiments.
- The mechanism lifts the stage by a lesser amount with each knob rotation.

Model number	TLV-151-2			TLV-251-2		
Model name	Lab Jack 125 x 125			Lab Jack 150 x 200		
Travel direction	Z-axis single direction					
Stage surface	125 mm x 125 mm			150 mm x 200 mm		
Clamp method	Split tightening method					
Feed method	Pantograph method					
Travel amount	0 to 40 mm			0 to 70 mm		
Travel amount/1 knob rotation	Travel position 5 mm vicinity	approx. 2.1 mm		Travel position 5 mm vicinity	approx. 3.0 mm	
	Travel position 10 mm vicinity	approx. 1.9 mm		Travel position 10 mm vicinity	approx. 2.7 mm	
	Travel position 15 mm vicinity	approx. 1.6 mm		Travel position 15 mm vicinity	approx. 2.4 mm	
	Travel position 20 mm vicinity	approx. 1.4 mm		Travel position 20 mm vicinity	approx. 2.2 mm	
	Travel position 25 mm vicinity	approx. 1.2 mm		Travel position 25 mm vicinity	approx. 2.0 mm	
	Travel position 30 mm vicinity	approx. 1.0 mm		Travel position 30 mm vicinity	approx. 1.8 mm	
	Travel position 35 mm vicinity	approx. 0.7 mm		Travel position 35 mm vicinity	approx. 1.6 mm	
	Travel position 40 mm vicinity	approx. 0.5 mm		Travel position 40 mm vicinity	approx. 1.4 mm	
	-	-		Travel position 45 mm vicinity	approx. 1.2 mm	
	-	-		Travel position 50 mm vicinity	approx. 1.1 mm	
-	-		Travel position 55 mm vicinity	approx. 1.0 mm		
-	-		Travel position 60 mm vicinity	approx. 0.8 mm		
-	-		Travel position 65 mm vicinity	approx. 0.6 mm		
-	-		Travel position 70 mm vicinity	approx. 0.5 mm		
Scale	-					
Load capacity	147 N (15 kgf)			196 N (20 kgf)		
Mass	5.5 kg			12 kg		
Main materials/surface treatment	Steel/hardened black chrome					