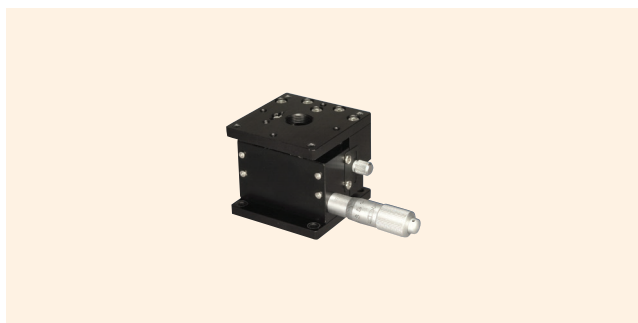


## Z Lift Stage



↑ TLV-642-1



↑ TLV-947-1

### Features

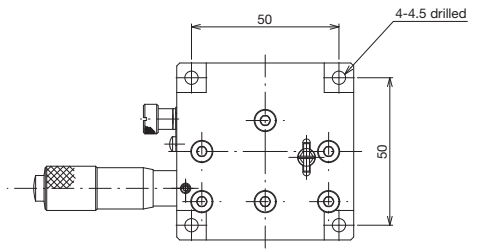
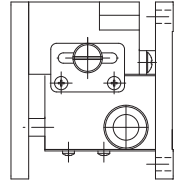
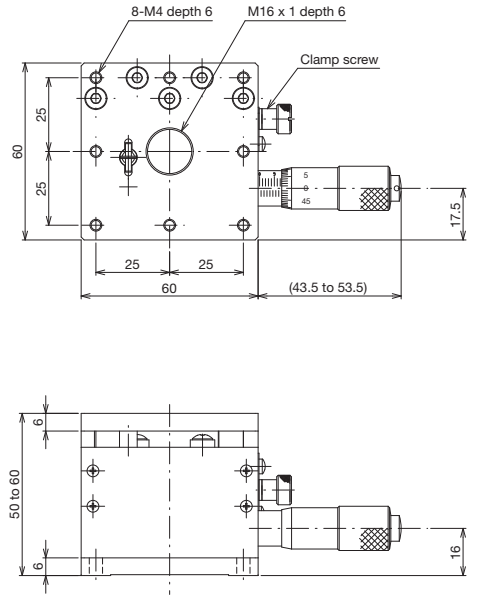
- A lift type Z axis stage.
- Versatile use for precision positioning of cameras, sensors, workpieces, and more.

Model number	TLV-642-1	TLV-947-1
Model name	Z Lift Stage	Z Slim Stages 90 x 90
Travel direction	Z-axis single direction	
Stage surface	60 mm x 60 mm	90 mm x 90 mm
Clamp method	Plate clamp	
Feed method	CMH-15F (standard micrometer)	CMH-13FM (standard micrometer)
Travel amount	0 to 10 mm	0 to 10 mm
Travel amount/1 knob rotation	0.5 mm	0.5 mm
Scale	Micrometer 0.01 mm	Micrometer 0.01 mm
Sensitivity	0.003 mm	0.003 mm
Travel guide	V-groove and cross rollers	V-groove and cross rollers (HG-VCR method)
Travel accuracy	Straightness: 0.003 mm	Straightness: 0.008 mm
Parallelism	0.08 mm	-
Load capacity	49 N (5 kgf)	
Mass	0.5 kg	0.4 kg
Main materials/surface treatment	Aluminum alloy/black satin anodized finish	
RoHS directive compliance status	RoHS2 Regulation 10 substances do not contain	

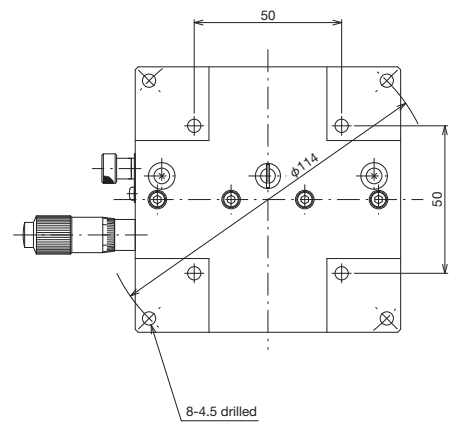
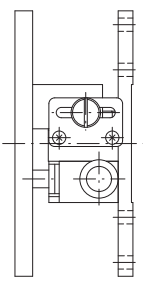
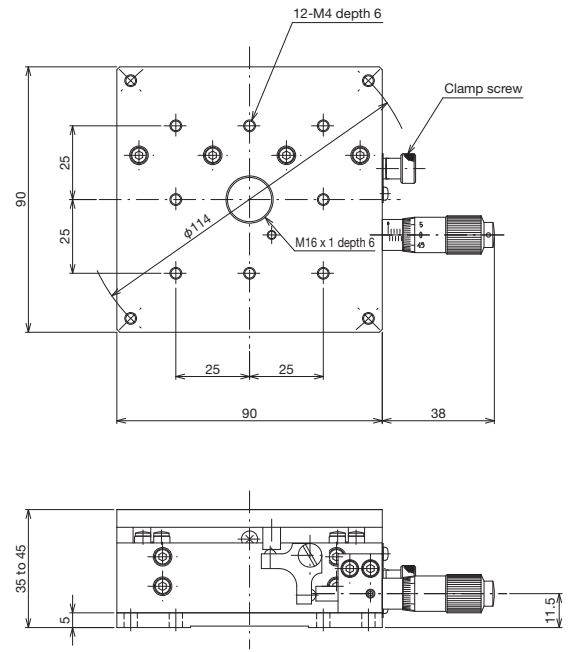


Z Lift Stages, Z Stages ◀ Manual Stages ◀

Product Appearance



TLV-642-1



TLV-947-1

Motorized Stages	Automated Products for Microscopes	Manual Stages	Fix Stages	Thin VB Stages	Rack & Pinion Stages	High-Grade Stages	Spin Stages, Cross Roller Stages	Z Lift Stages, Z Stages	Rotary Stages	Tilt Stages	Tilt/Rotary Stages	XZ, YZ Stages	XYZ Stages
------------------	------------------------------------	---------------	------------	----------------	----------------------	-------------------	----------------------------------	-------------------------	---------------	-------------	--------------------	---------------	------------