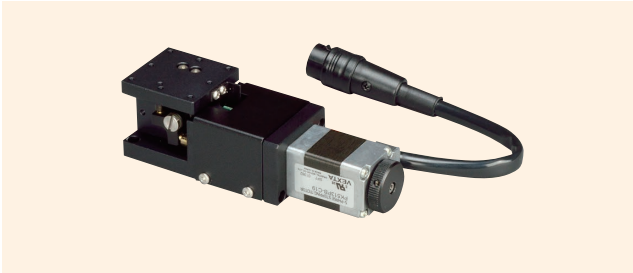


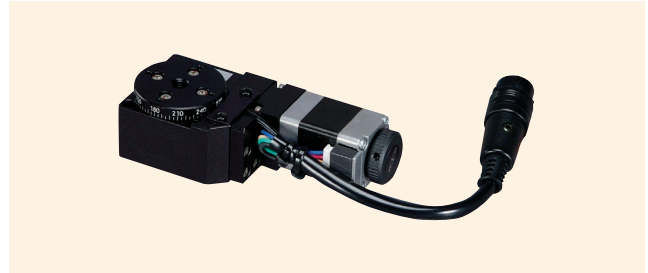
▶ Motorized Stages ▶ 30 mm x 30 mm (φ 30 mm) Compact Stages

30 mm x 30 mm (φ 30 mm) Compact Stages - Z Lift Stages, Rotary Stages

0.35 A/phase 0.35 A/phase motor



↑ TALV-3005-HM



↑ TARS-336-HM

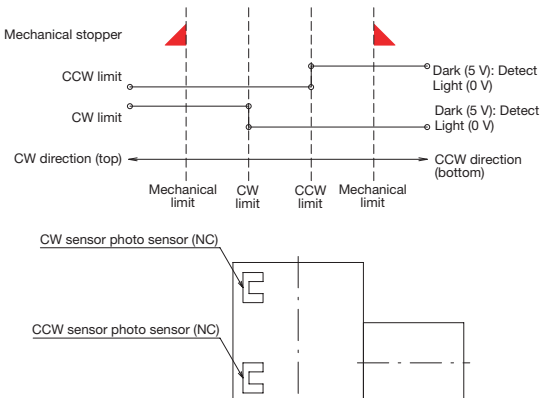
Features

- Compact motorized stage adopting a 20 mm x 20 mm 5-phase stepper motor.
- Z lift stages use V groove and cross roller travel guides, and rotary stages use ball bearings to enable extremely high-precision movement.
- Versatile use for precision positioning of cameras, sensors, workpieces, and more.

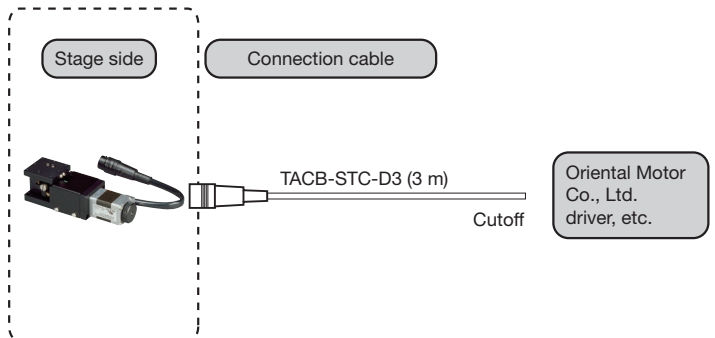
Model number	TALV-3005-HM
Model name	Z Lift Stage
Travel direction	Z-axis single direction
Travel amount	0 to 5 mm
Stage surface	30 mm x 30 mm
Motor used	PK513PB equivalent (5-wire type pentagonal wiring, 0.35 A/phase)
Resolution	0.001 mm
Feed screw lead	0.5 mm
Travel guide	V-groove and cross rollers
Travel accuracy	Straightness (horizontal/vertical): 0.005 mm
Positioning accuracy	0.020 mm
Repeatability	±0.002 mm
Lost motion	0.005 mm
Load capacity	9.8 N (1 kgf)
Mass	0.2 kg
Maximum speed (at 3,000 pps)	3 mm/s
Main materials/surface treatment	Aluminum alloy/black satin anodized finish
Home position sensor	-
Pre-home sensor	-
Limit sensor	Normally closed contact point (break contact, B contact) operation, photo sensor
Applicable cables	TACB-STC-D3

Model number	TARS-336-HM
Model name	Rotary Stage
Travel direction	Rotation direction
Travel amount	360°
Stage surface	φ 30 mm
Motor used	PK513PB equivalent (5-wire type pentagonal wiring, 0.35 A/phase)
Resolution	0.015°
Travel guide	Ball bearing
Runout	0.02 mm
Surface runout	0.06 mm
Positioning accuracy	0.18°
Repeatability	±0.003°
Lost motion	0.02°
Parallelism	0.075 mm
Load capacity	19.6 N (2 kgf)
Mass	0.18 kg
Maximum speed (at 5,000 pps)	75°/s
Main materials/surface treatment	Aluminum alloy/black satin anodized finish
Home position sensor	Normally open contact (make contact, A contact) operation, hall IC
Pre-home sensor	-
Limit sensor	-
Applicable cables	TACB-STC-D3

◆ TALV-3005-HM sensor operating logic and timing chart



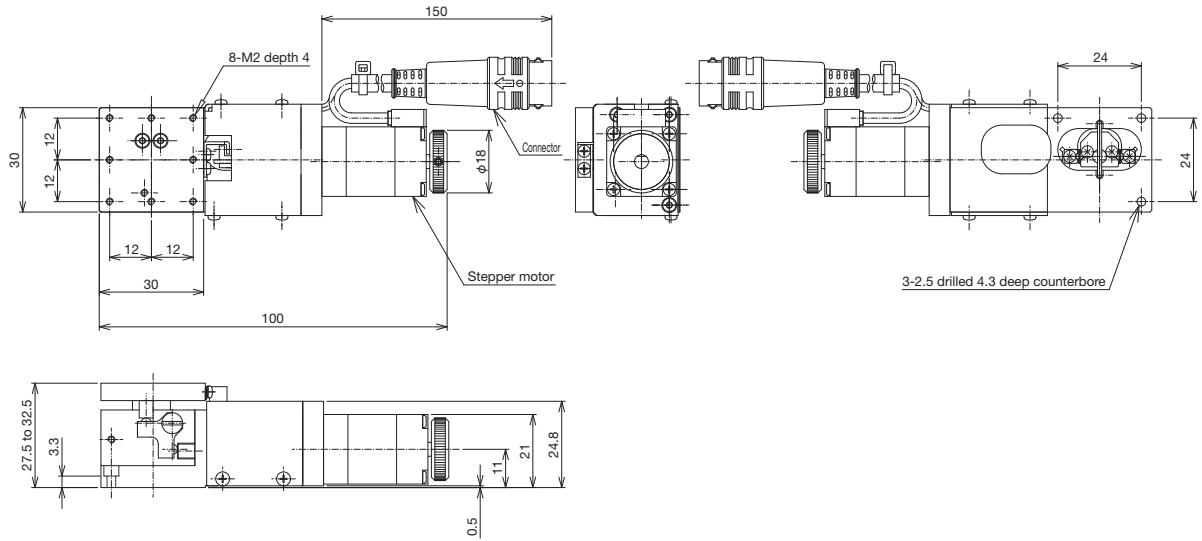
◆ Connection method: Connection cable and driver



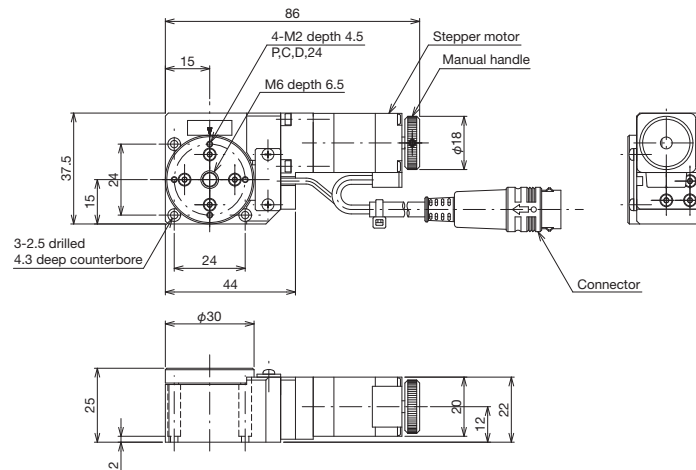


30 mm x 30 mm ($\phi 30$ mm) Compact Stages \triangleleft Motorized Stages \triangleleft

Product Appearance

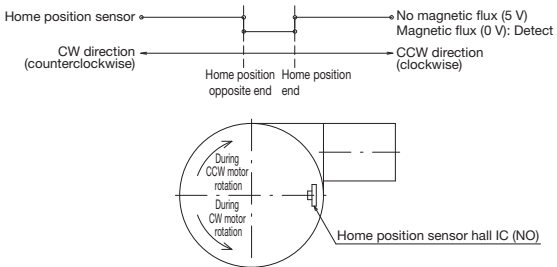


\uparrow TALV-3005-HM

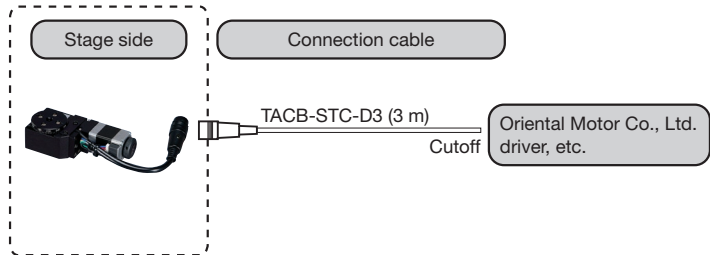


\uparrow TARS-336-HM

\blacklozenge TARS-336-HM sensor operating logic and timing chart



\blacklozenge Connection method: Connection cable and driver



Motorized Stages	Automated Products for Microscopes
Manual Stages	
High-Grade Stages	
30 mm x 30 mm ($\phi 30$ mm) Compact Stages	
Class Roller Stages	
Ball Bushing Stages	
High-Precision/High-Rigidity Stages	
Z-Lift Stages	
Tilt Stages	
Connection Cables	
Actuators	