

▶ Motorized Stages ▶ 30 mm x 30 mm (φ 30 mm) Compact Stages

30 mm x 30 mm (φ 30 mm) Compact Stages - X Stages, XY Stages, Z Stages

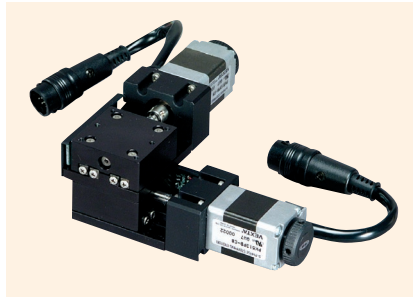
V-CR method

0.35 A/phase

0.35 A/phase motor



↑ TALS-301-HM



↑ TALD-301-HM



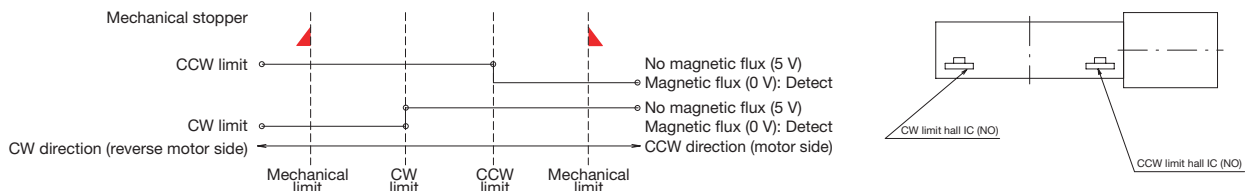
↑ TALZ-301-HM

Features

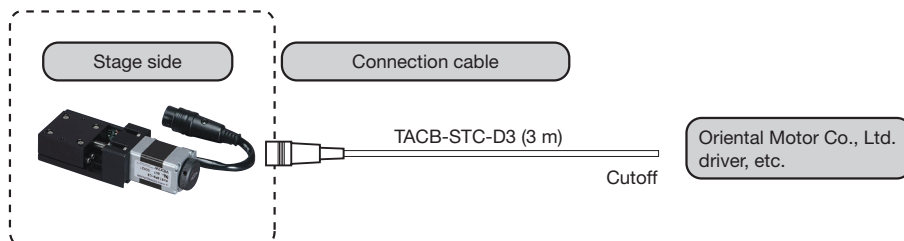
- Compact motorized stage adopting a 20 mm x 20 mm 5-phase stepper motor.
- 15 mm travel types are available.
- Versatile use for precision positioning of cameras, sensors, workpieces, and more.

Model number	TALS-301-HM	TALD-301-HM	TALZ-301-HM
Model name	X Stage	XY Stage	Z Stage
Travel direction	X-axis single direction	XY-axis double direction	Z-axis single direction
Travel amount		±7.5 mm	
Stage surface	30 mm x 30 mm		
Motor used	PK513PB equivalent (5-wire type pentagonal wiring, 0.35 A/phase)		
Resolution	0.001 mm		
Feed screw lead	0.5 mm		
Travel guide	V-groove and cross rollers		
Travel accuracy	Straightness (horizontal/vertical): 0.008 mm		
Positioning accuracy	0.015 mm		
Repeatability	±0.0005 mm	±0.0005 mm	±0.001 mm
Lost motion	0.005 mm		
XY orthogonality	-	0.010 mm	-
Load capacity	19.6 N (2 kgf)	14.7 N (1.5 kgf)	9.8 N (1 kgf)
Mass	0.16 kg	0.32 kg	0.18 kg
Maximum speed	8 mm/s (at 8,000 pps)		
Main materials/surface treatment	Aluminum alloy/black satin anodized finish		
Limit sensor	Normally open contact (make contact, A contact) operation, hall IC		
Applicable cables	TACB-STC-D3		

◆ Sensor operating logic and timing chart



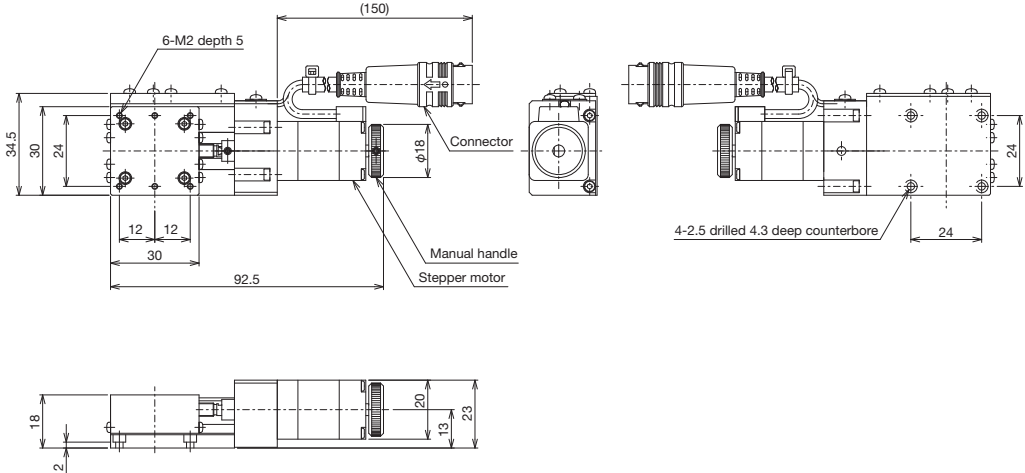
◆ Connection method: Connection cable and driver



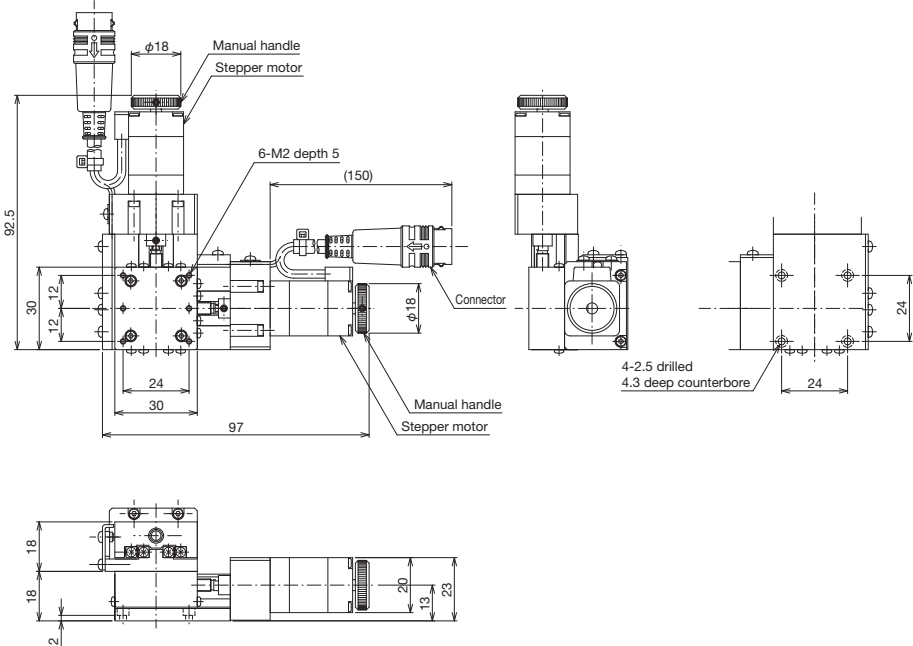


30 mm x 30 mm (ϕ 30 mm) Compact Stages \triangleleft Motorized Stages \triangleleft

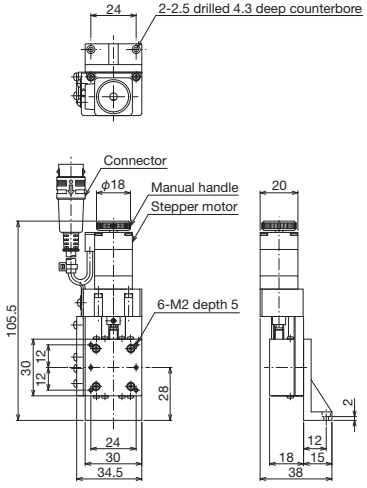
Product Appearance



TALD-301-HM



TALD-301-HM



TALZ-301-HM

Motorized Stages
Automated Products for Microscopes
Manual Stages
High-Grade Stages
30 mm x 30 mm (ϕ 30 mm) Compact Stages
Class Roller Stages
Ball Bushing Stages
High-Precision/High-Rigidity Stages
Z-Lift Stages
Tilt Stages
Connection Cases
Actuators