

Standard KR

KR30H 10 A -0400 -0 -1 0 AQ

Model no.

KR30H
KR45H

Ball screw lead

06mm (KR30H)
10mm (KR30H/KR45H)
20mm (KR45H)

Inner block type

A/B/C/D

Stroke

Without motor

Cover

0 : Without cover
1 : With cover

Sensor

Intermediate flange

A0/AP/AQ/AR/AT (KR30H)/AU

Fast delivery KR



KR30H 10 A -0400 -0 -1 -Q -00000

Model no.

KR30H
KR45H

Ball screw lead

06mm (KR30H)
10mm (KR30H/KR45H)
20mm (KR45H)

Inner block type

A/B/C/D

Stroke

Without motor

Cover

0 : Without cover
1 : With cover

Intermediate flange
0/P/Q/R/T (KR30H)/U

Nothing "Sensor" selection

Design symbol

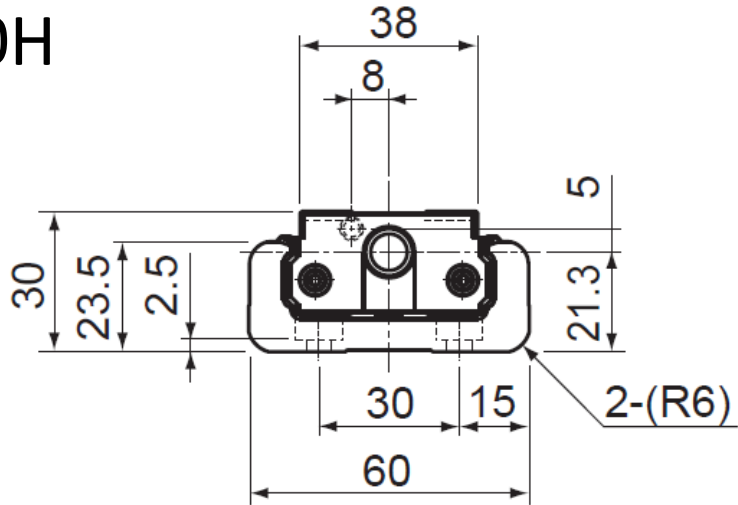
00000



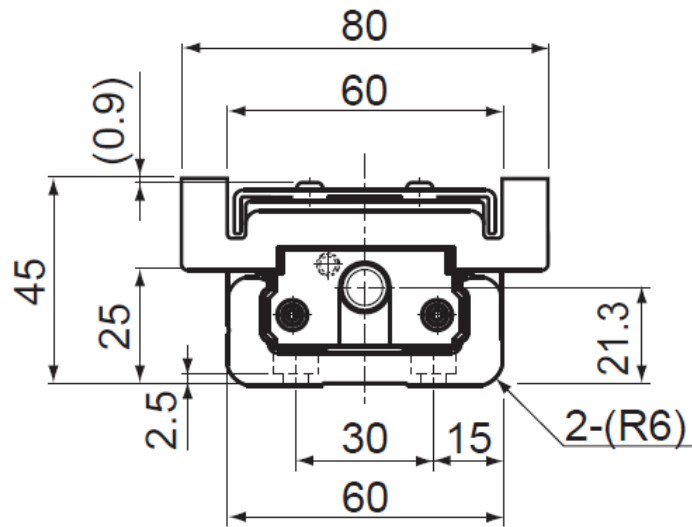
Please ask THK if you need sensor option.

Size (KR30H/KR45H)

KR30H

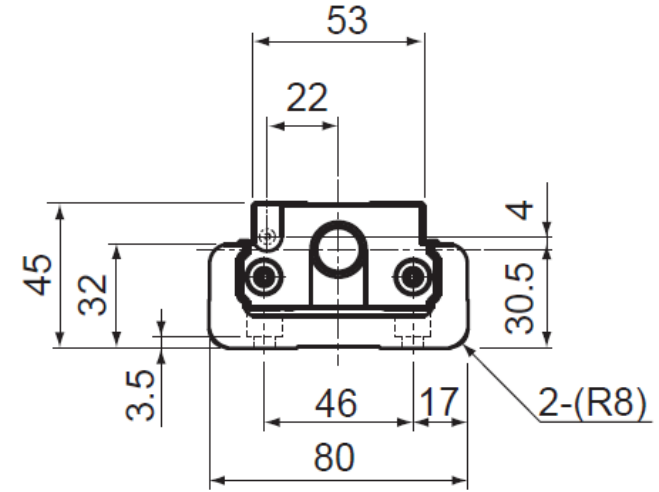


Without cover

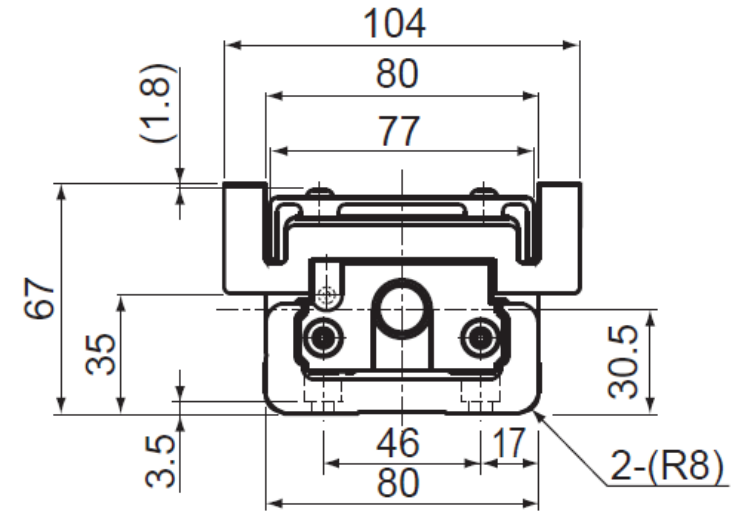


With cover

KR45H



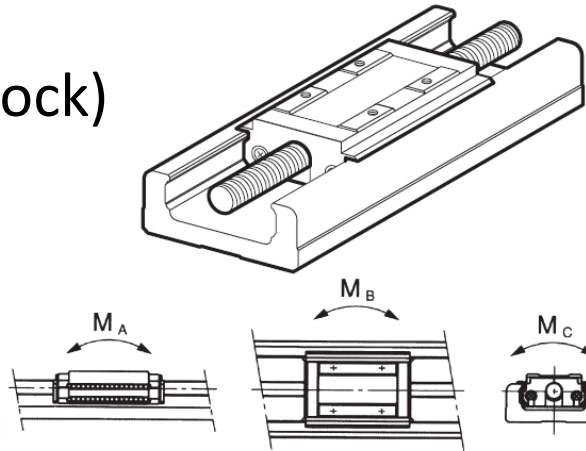
Without cover



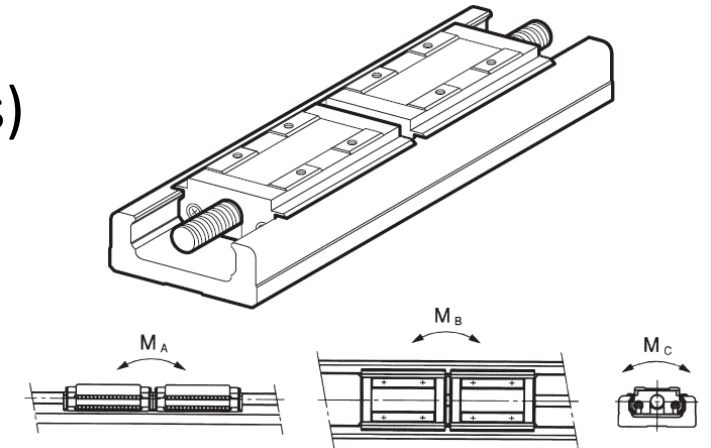
With cover

Inner block type (A/B/C/D)

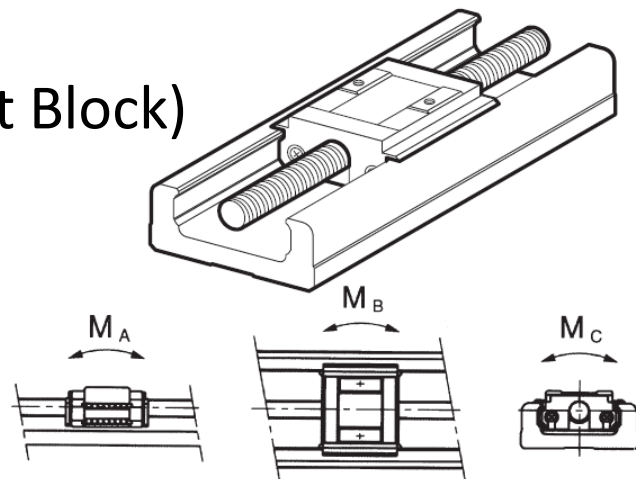
Type A
(A Single Nut Block)



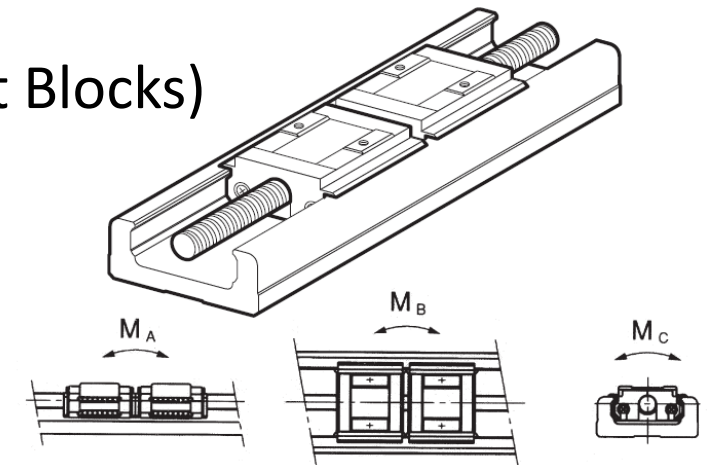
Type B
(Two Nut Blocks)



Type C
(A Single **Short** Nut Block)



Type D
(Two **Short** Nut Blocks)



Cover

With Cover : 1



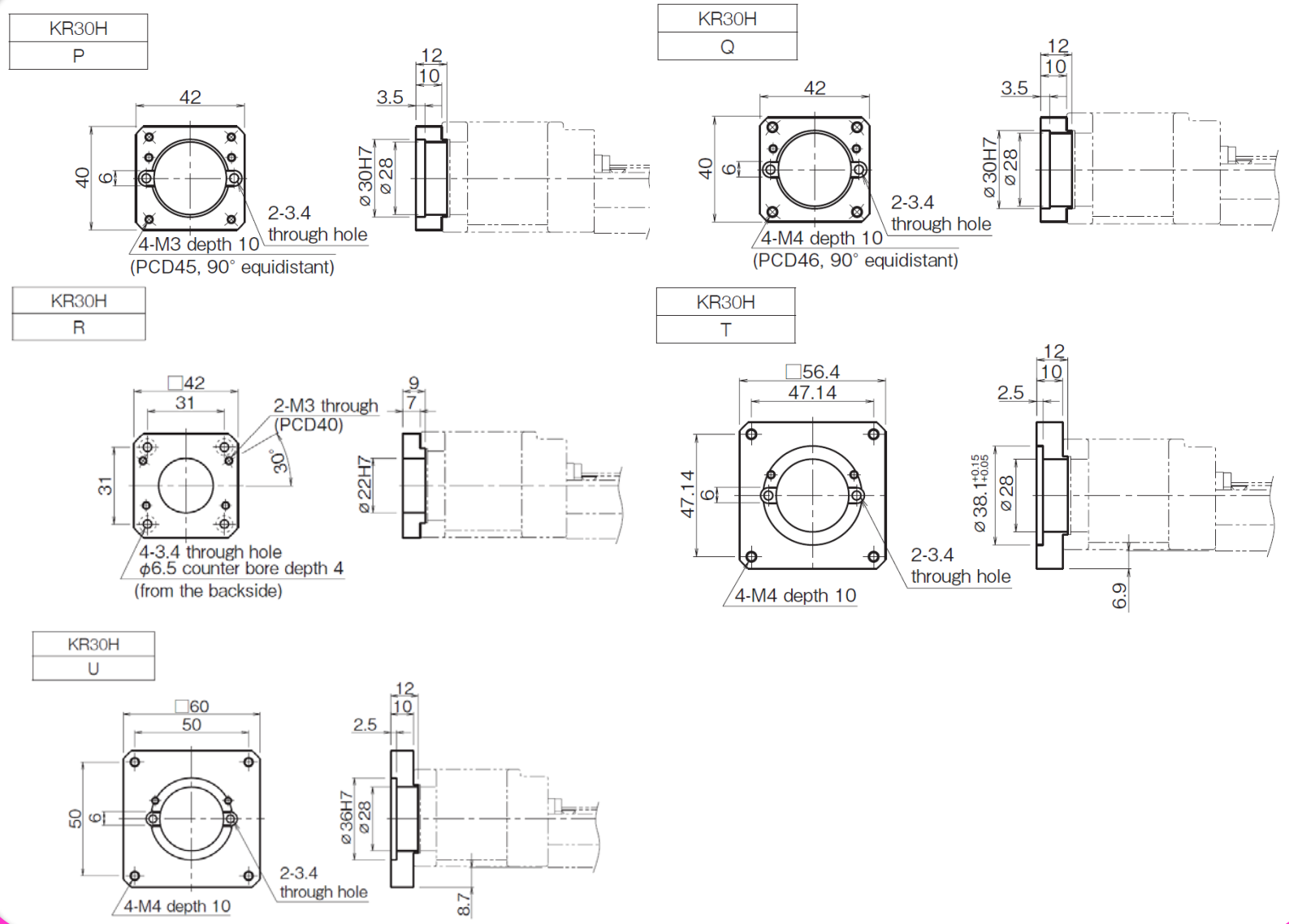
Without Cover : 0



Intermediate Flange KR30H

Standard KR ⇒ Fast Delivery KR

- AP ⇒ P
- AQ ⇒ Q
- AR ⇒ R
- AT ⇒ T
- AU ⇒ U

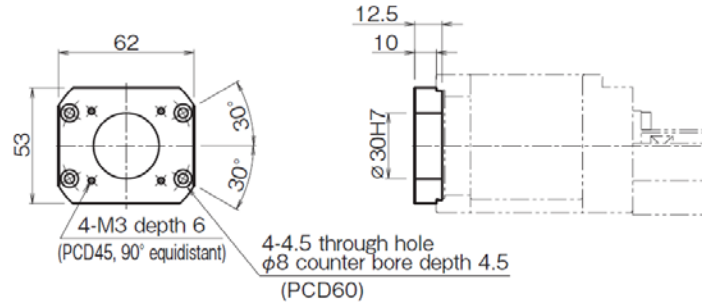


Intermediate Flange KR45H

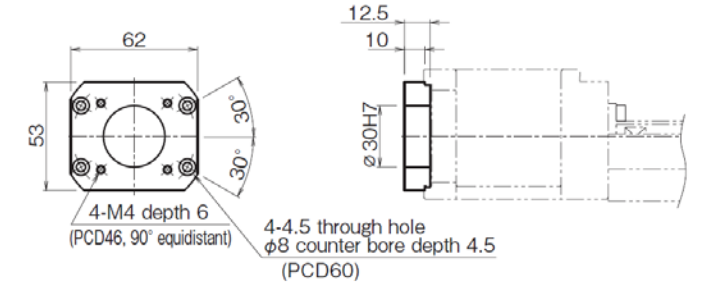
Standard KR ⇒ Fast Delivery KR

AP ⇒ P
 AQ ⇒ Q
 AY ⇒ Y
 AU ⇒ U

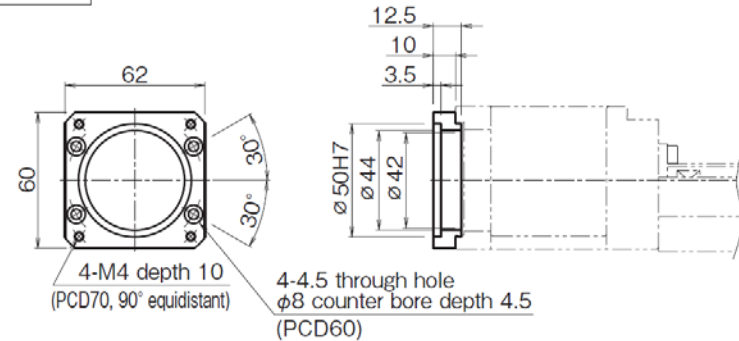
KR45H
P



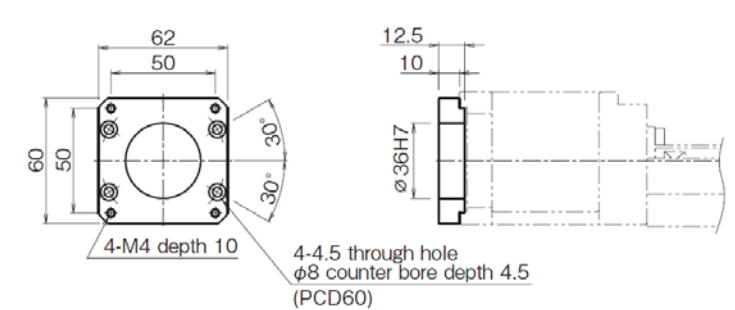
KR45H
Q



KR45H
Y

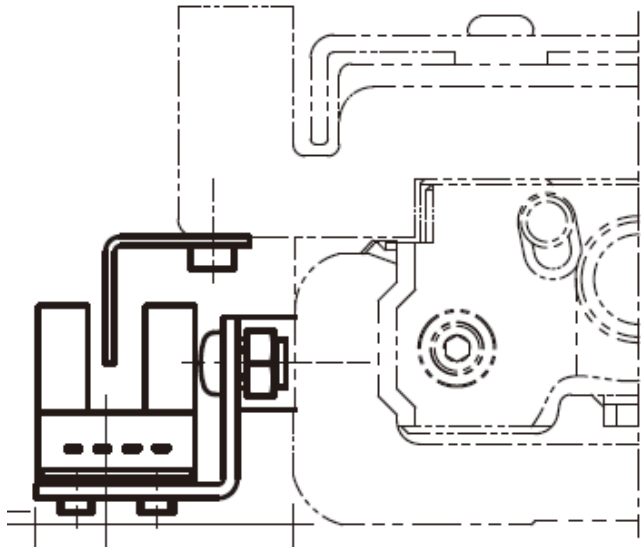


KR45H
U



Please ask THK if you need sensor option parts.

Photo sensor



Proximity sensor

