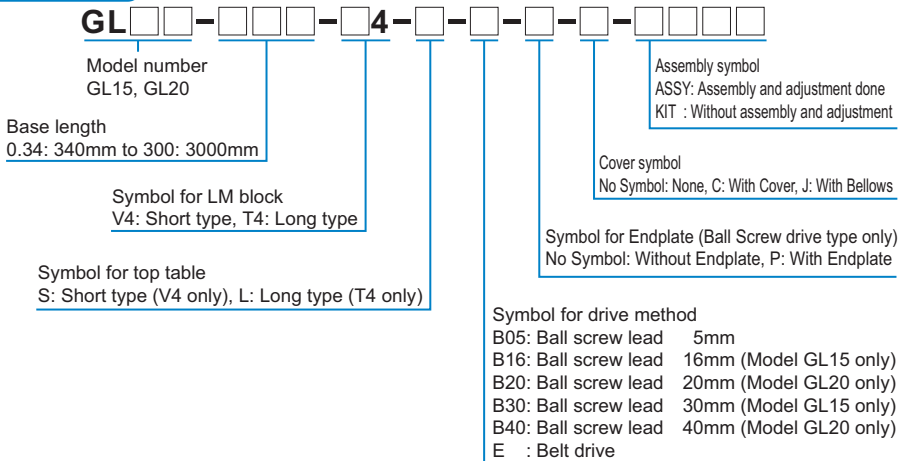


Model Number Coding

Model number coding



Model number coding

Example 1 (finished assembly)

GL15-082-T4-L-B30-P-J-ASSY

Example 2 (kit parts)

GL20-070-T4-L-E-C-KIT

Note) Kit parts that are not assembled or adjusted are delivered as a whole.