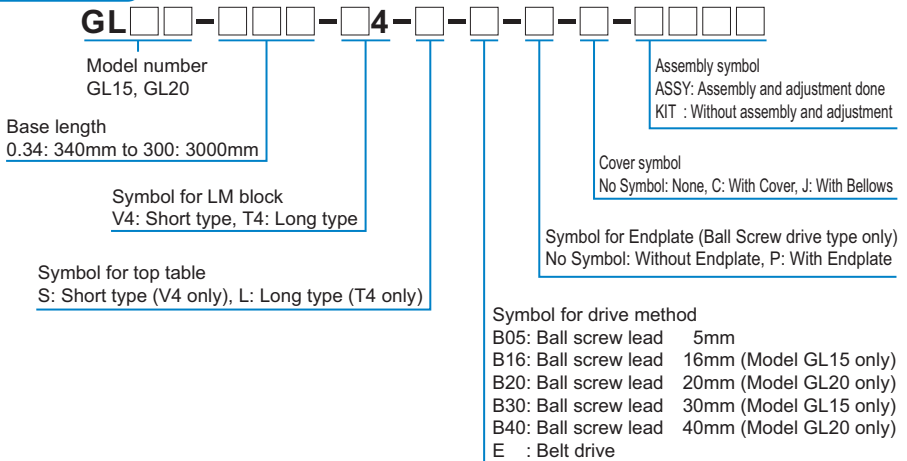


Model Number Coding

Model number coding



Model number coding

Example 1 (finished assembly)

GL15-082-T4-L-B30-P-J-ASSY

Example 2 (kit parts)

GL20-070-T4-L-E-C-KIT

Note) Kit parts that are not assembled or adjusted are delivered as a whole.

Bellows

For model GL, a bellows is available for contamination protection in addition to a cover.

[Model GL15]

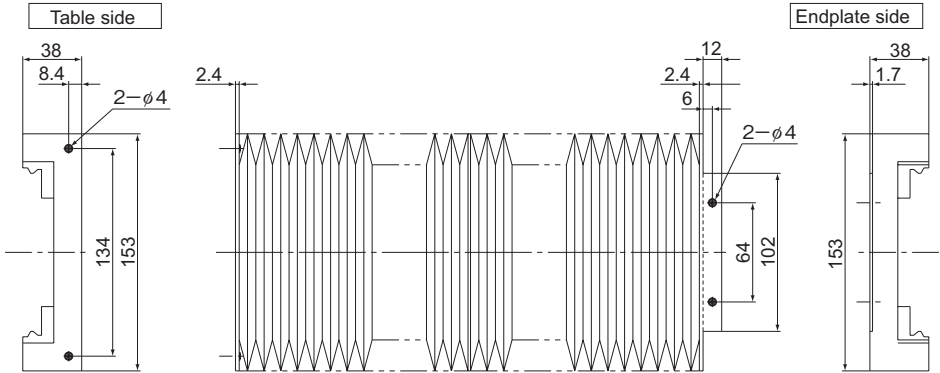


Fig.1 External Dimensions of the Bellows

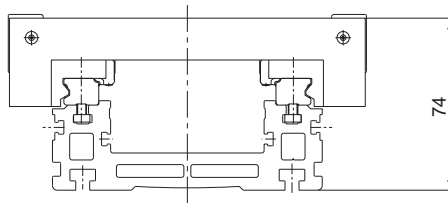


Fig.2 Mounting Height of the Bellows

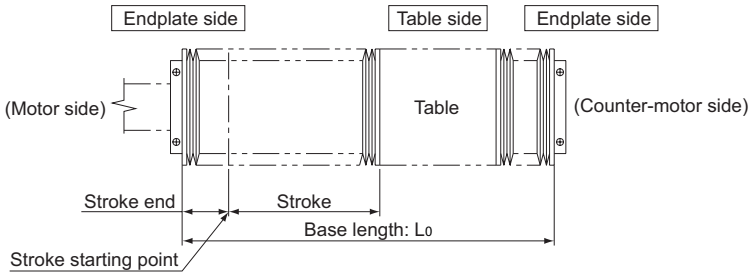


Fig.3 Schematic Drawing of Mounting the Bellows

Table1 Stroke of the Ball Screw Drive Type of Model GL15

Base length: L ₀ (mm)		340	460	580	700	820	1060	1240	1420
Stroke (mm)		100	220	340	455	560	770	910	1070
Stroke starting point (mm)	Type S	57	57	57	59.5	67	82	102	112
	Type L	43	43	43	45.5	53	68	88	98

Table2 Stroke of the Belt Drive Type of Model GL15

Base length: L ₀ (mm)		340	460	580	700	820	1060	1240	1420	1600	1780	1960
Stroke (mm)	Type S	78	188	308	408	508	728	868	1008	1148	1288	1488
	Type L	50	160	280	380	480	700	840	980	1120	1260	1400
Stroke starting point (mm)		30	40	50	65	80	105	125	145	165	185	205

* The stroke starting point has the same dimensions for both the S-shape table and the L-shape table.

[Model GL20]

Table side

Endplate side

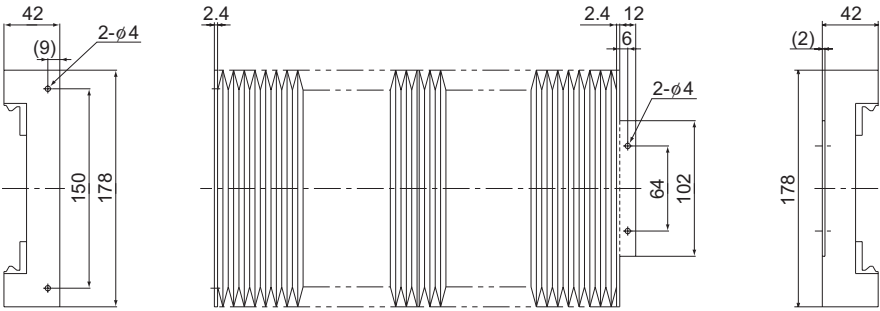


Fig.4 External Dimensions of the Bellows

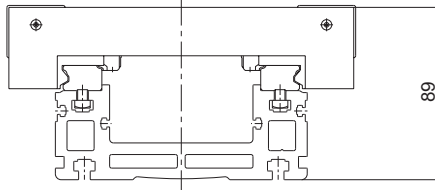


Fig.5 Mounting Height of the Bellows

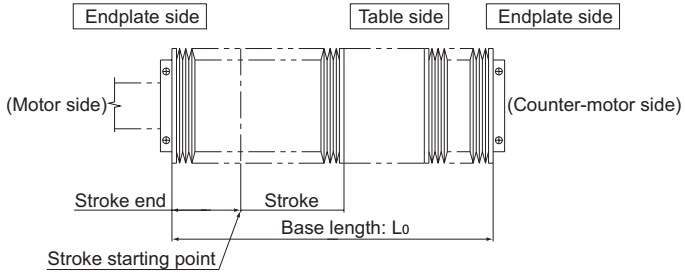


Fig.6 Schematic Drawing of Mounting the Bellows

Table3 Stroke of the Ball Screw Drive Type of Model GL20

Base length: L ₀ (mm)		460	580	700	820	1060	1240	1420	1600	1780
Stroke (mm)		200	320	440	560	780	940	1100	1260	1400
Stroke starting point (mm)	Type S	50	50	50	50	60	70	80	90	110
	Type L	40	40	40	40	50	60	70	80	100

Table4 Stroke of the Belt Drive Type of Model GL20

Base length: L ₀ (mm)		460	580	700	820	1060	1240	1420	1600	1780	1960	2200	2320	2500	3000
Stroke (mm)	Type S	160	260	360	460	680	840	1110	1160	1300	1440	1640	1720	1860	2280
	Type L	140	240	340	440	660	820	990	1140	1280	1420	1620	1700	1840	2260
Stroke starting point (mm)		40	50	80	100	110	120	125	145	160	180	200	220	240	280

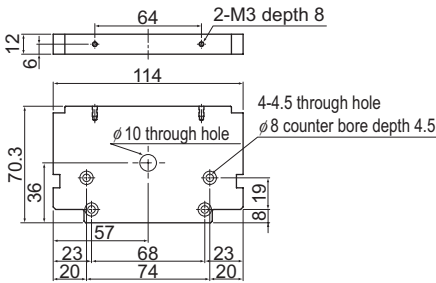
* The stroke starting point has the same dimensions for both the S-shape table and the L-shape table.

Precautions on Using the Bellows

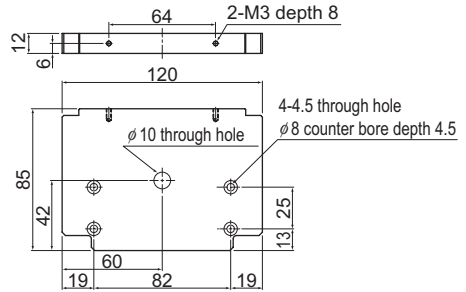
When mounting a bellows longer than the table of model GL onto the table for model GL, secure an area that sticks out of the table's longitudinal length by at least 1 mm.

Endplate

With the ball screw drive type of model GL, the end plate on the motor mounting side is machined according to the motor used. Indicate the motor to be used when placing an order to THK.



Model GL15



Model GL20

Plate nut for mounting the base

For model GL, a plate nut for mounting the base is available. It is attached as standard when model GL is delivered.

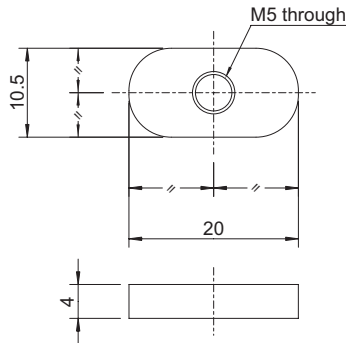


Fig.7 Plate Nut

Table5 Number of Plate Nuts for Mounting the Base

Standard base length (mm)	340	460	580	700	820	1060	1240	1420	1600	1780	1960	2200	2320	2500	3000
Pcs	4	4	6	6	8	10	10	12	14	14	16	16	18	18	20